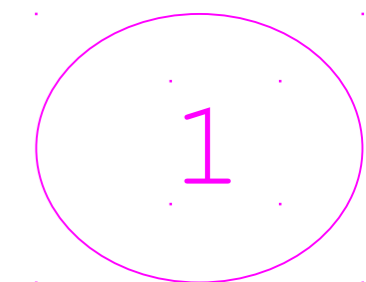


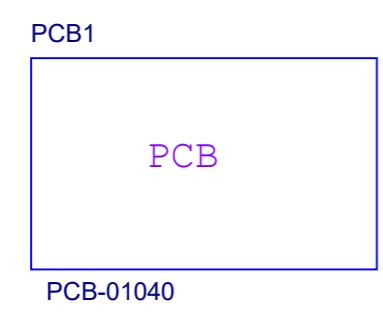
Schematics	Revision	Date	Release Information
SRT-96B-MEZ-CAM1	1.1	JUN 2020	first version release



- 01 Revision History
- 02 Block Diagram
- 03 Baseboard Interface
- 04 Camera
- 05 Image Coprocessor
- 06 Power & RST

Silk:

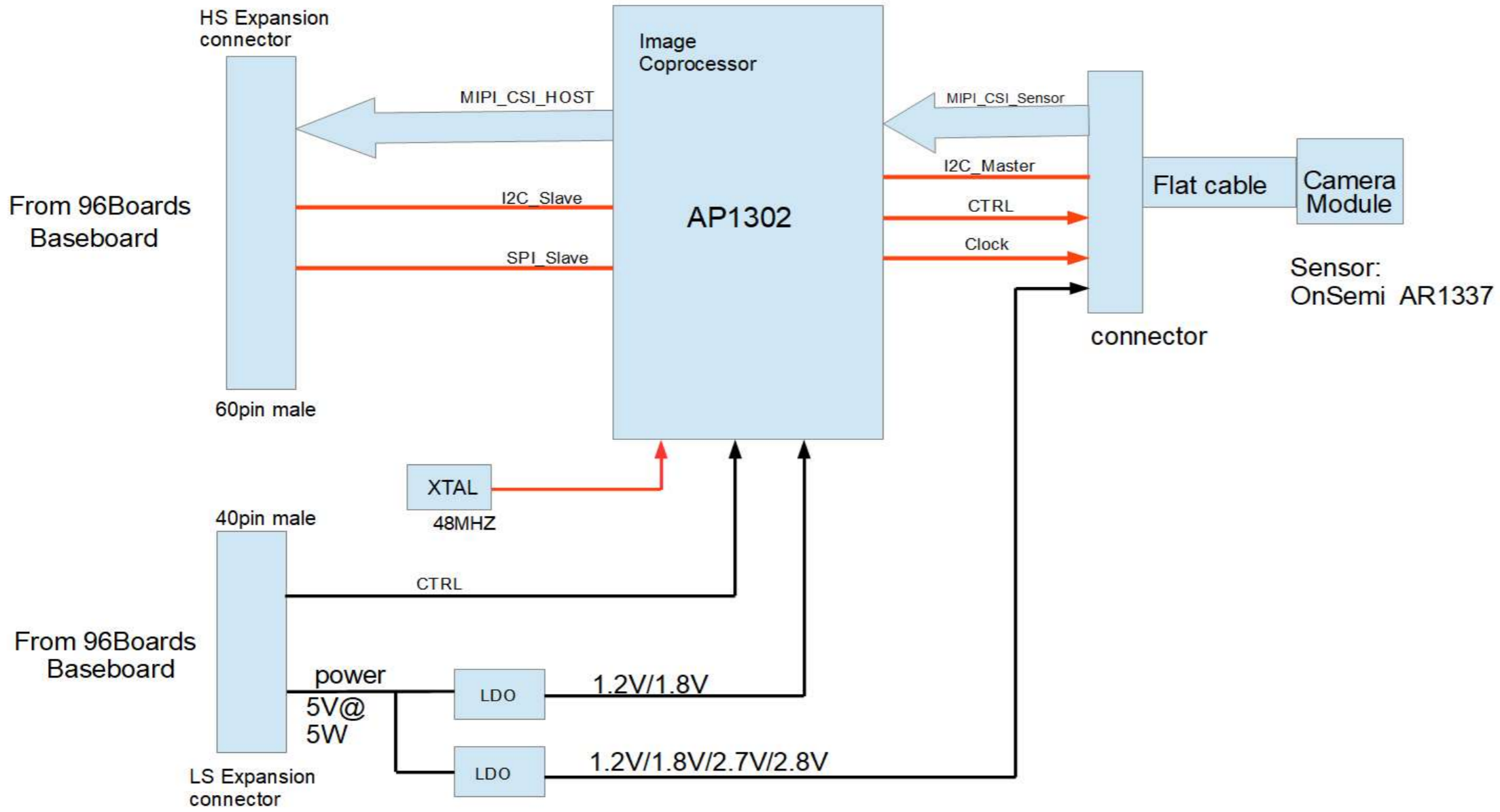
SRT-96B-MEZ-CAM1
 SRT-PCB-01040
 REV 1.1



Shiratech Solutions	Revision History		
	SRT-96B-MEZ-CAM1		
Drawn By Moshe Arad	Size A3	CAGE Code <Cage Code>	DWG NO A
Sunday, July 19, 2020	Scale	Sheet	1 of 6

SRT-96B-MEZ-CAM1

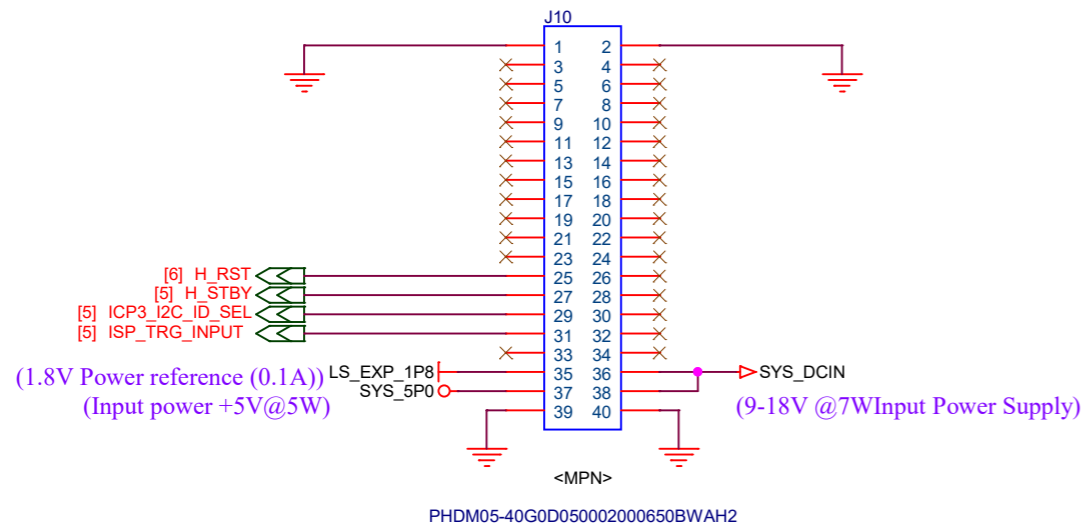
2



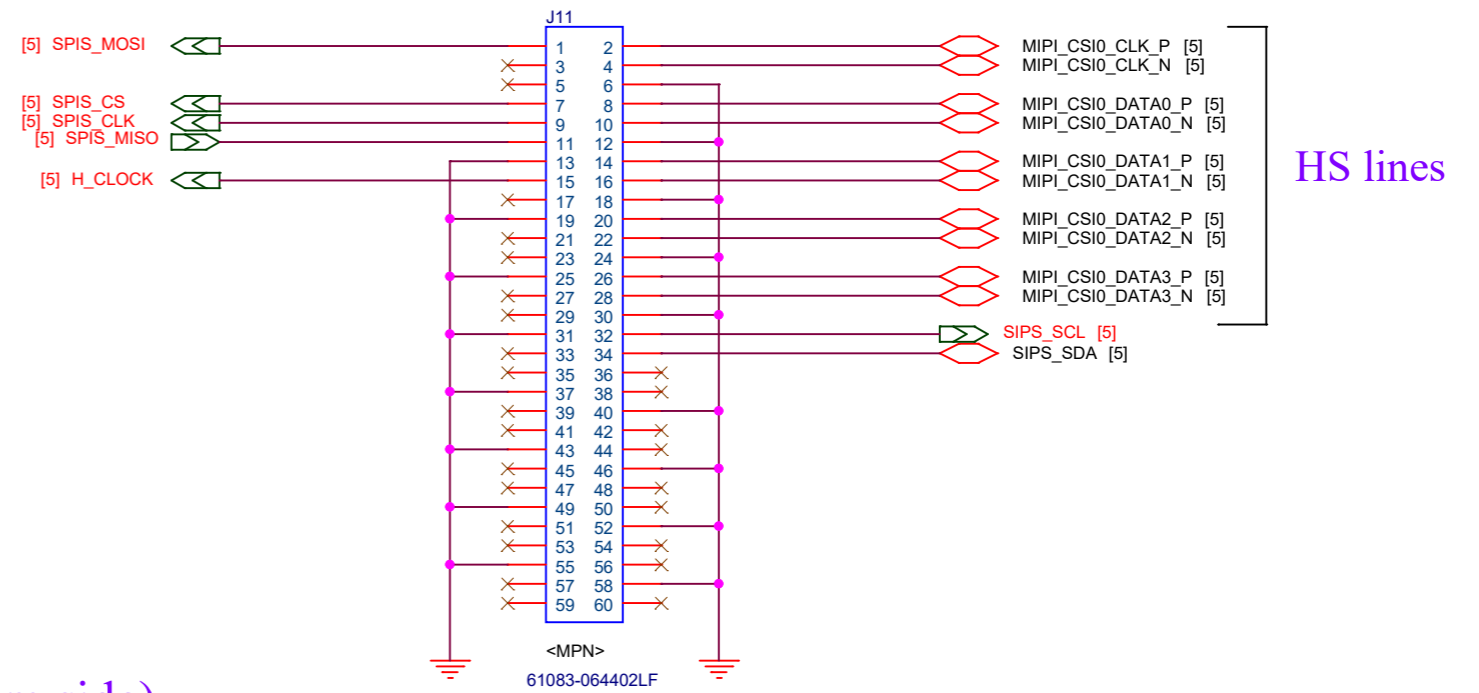
Shiratech Solutions	Block Diagram			
	SRT-96B-MEZ-CAM1			
Drawn By Moshe Arad	Size A3	CAGE Code <Cage Code>	DWG NO A	Rev 1.1
Thursday, September 03, 2020	Scale	Sheet		2 of 6

From 96Boards Baseboard

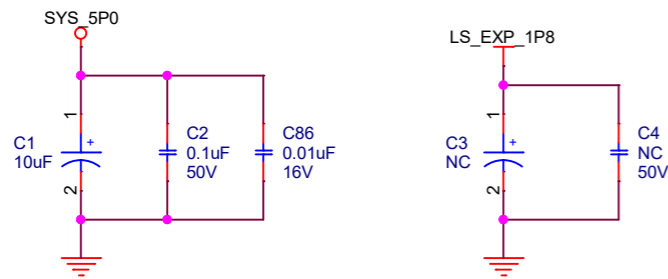
LS EXPANSION CONNECTOR



HS EXPANSION CONNECTOR



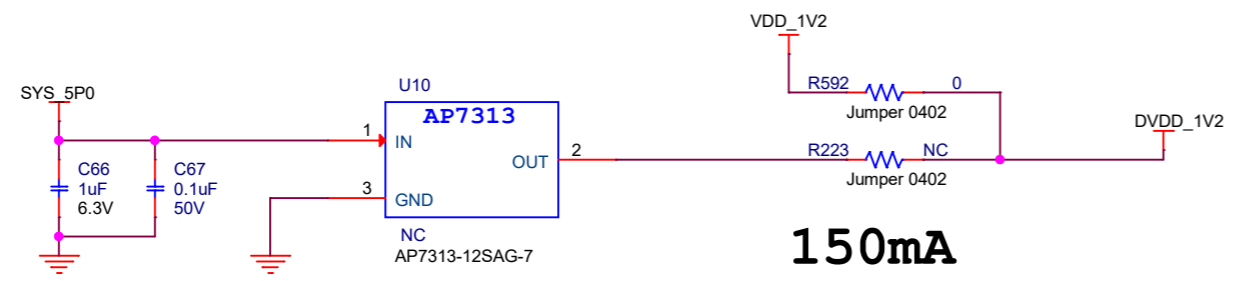
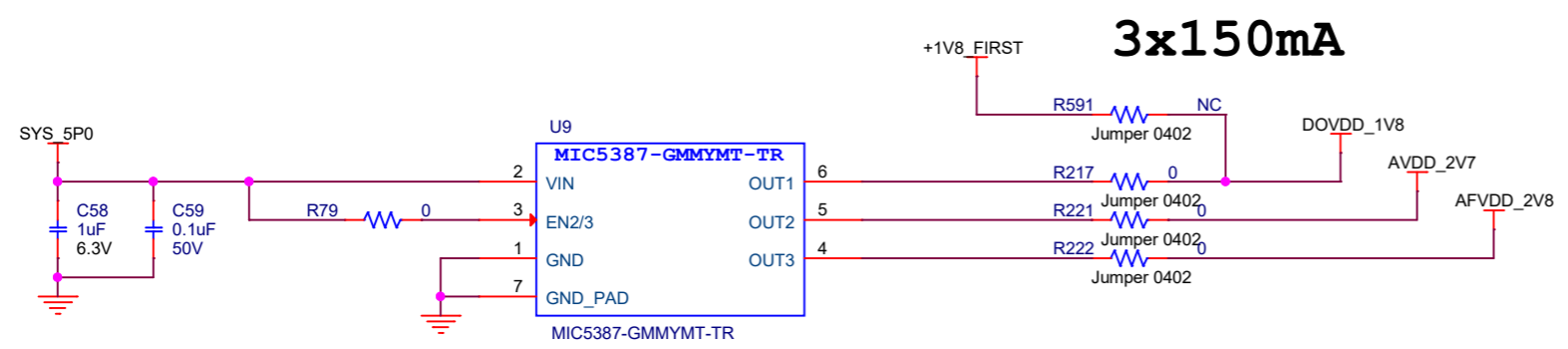
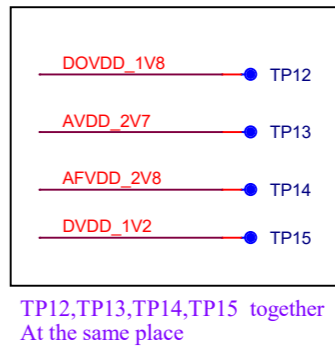
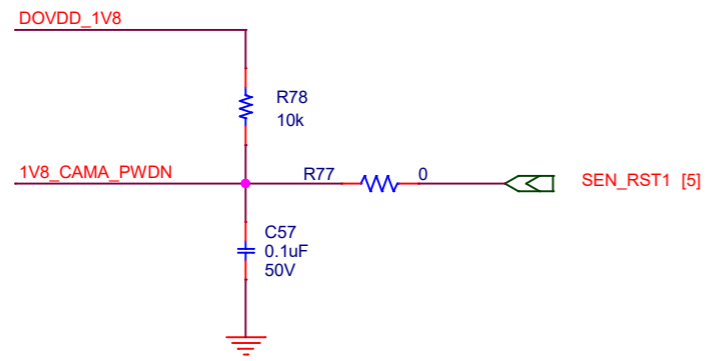
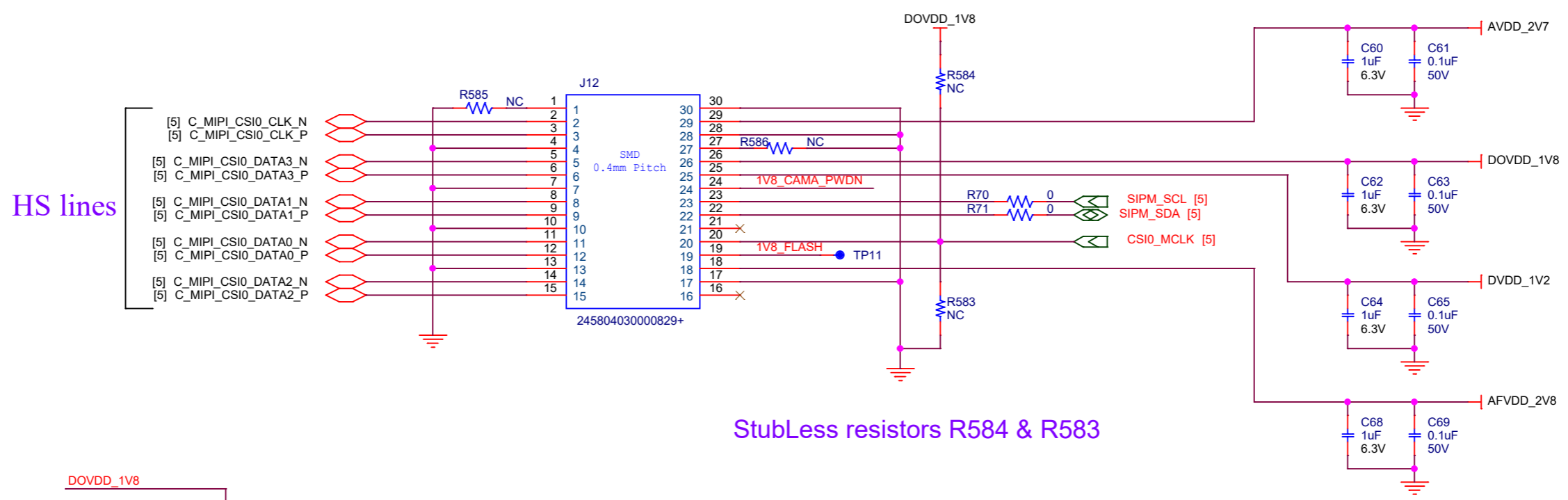
male connectors (bottom side)



Add sign "+" near "+" of: C1, C3, C28, C32, C70

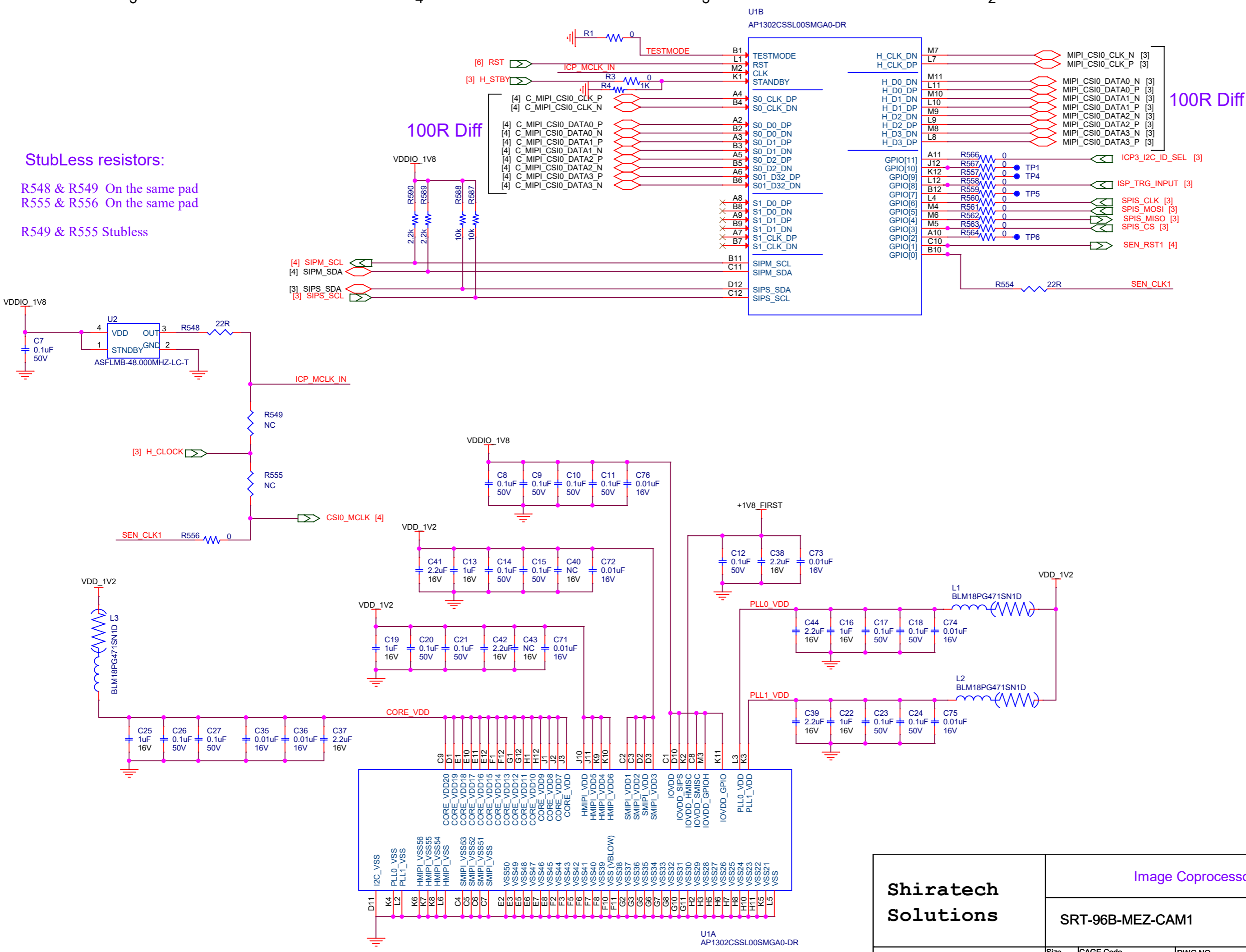
Shiratech Solutions	Baseboard Interface		
	SRT-96B-MEZ-CAM1		
Drawn By Moshe Arad	Size A3	CAGE Code <Cage Code>	DWG NO A
Sunday, July 19, 2020	Scale	Sheet	Rev 1.1
		3	of 6

AR1337

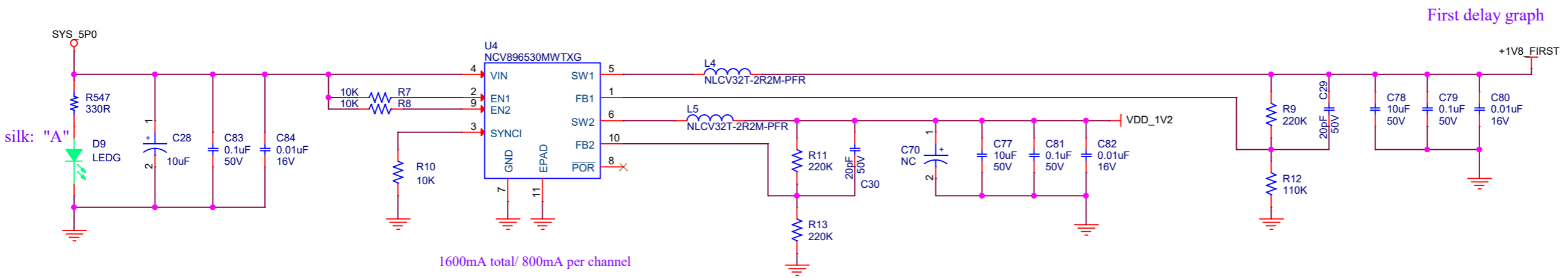


Shiratech Solutions	Camera Interface			
	SRT-96B-MEZ-CAM1			
Drawn By Moshe Arad	Size A3	CAGE Code <Cage Code>	DWG NO A	Rev 1.1
Thursday, September 03, 2020	Scale	Sheet 4 of 6		

Stubless resistors:
 R548 & R549 On the same pad
 R555 & R556 On the same pad
 R549 & R555 Stubless



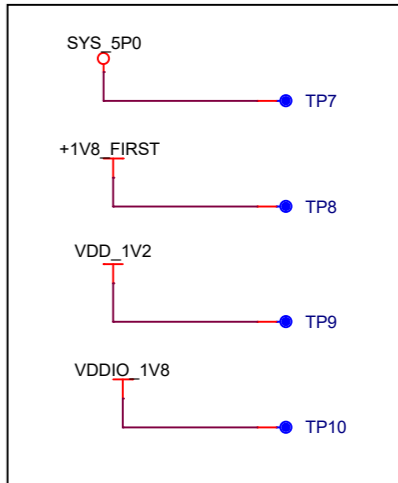
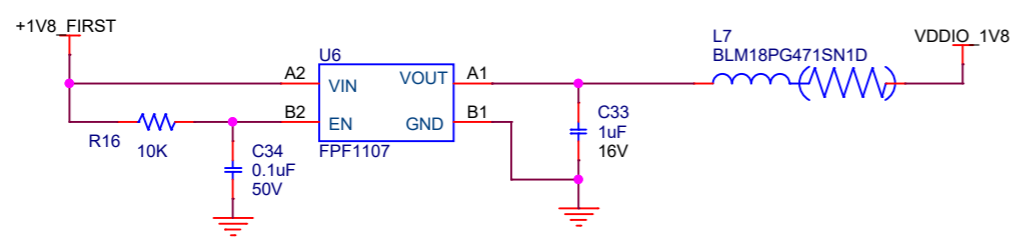
Shiratech Solutions	Image Coprocessor		
	SRT-96B-MEZ-CAM1		
Drawn By Moshe Arad	Size A3	CAGE Code <Cage Code>	DWG NO A
Sunday, July 19, 2020	Scale	Sheet 5 of 6	Rev 1.1



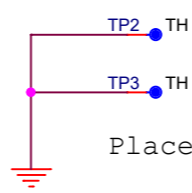
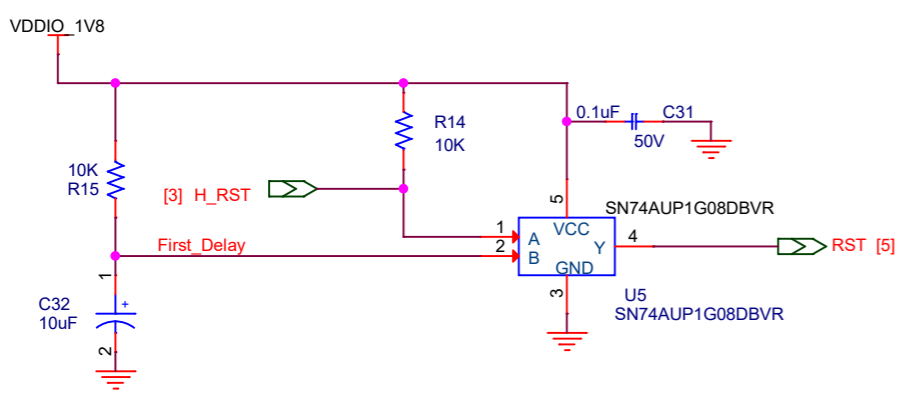
silk: "A"

1600mA total/ 800mA per channel

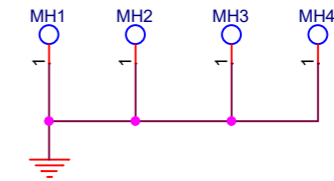
First delay graph



D9,TP7,TP8,TP9,TP10 together At the same place



Place 2 TP's at the PCB corners



Shiratech Solutions	power & RST		
	SRT-96B-MEZ-CAM1		
Drawn By Moshe Arad	Size A3	CAGE Code <Cage Code>	DWG NO A
Sunday, July 19, 2020	Scale	Sheet 6 of 6	Rev 1.1