

Carrier Schematic For RK3399Pro Som

Linaro SoM Carrier Boards V1.0

USB: Type C + USB3.0 + USB2.0
DISPLAY: HDMI+DSI+EDP
STORAGE: eMMC + TF card
INTERFACE: MINIPCIE+ETH+2.4G/5G WIFI

 贝启科技 厦门贝启科技有限公司 beiqitech.com			
项目:	Linaro SoM Carrier Boards		
文件:	RK3399Pro Carrier		
图纸:	00.Cover Page		
修改日期:	Monday, March 11, 2019	版本:	V0.1
设计者:	CZA	页码:	0 of 27

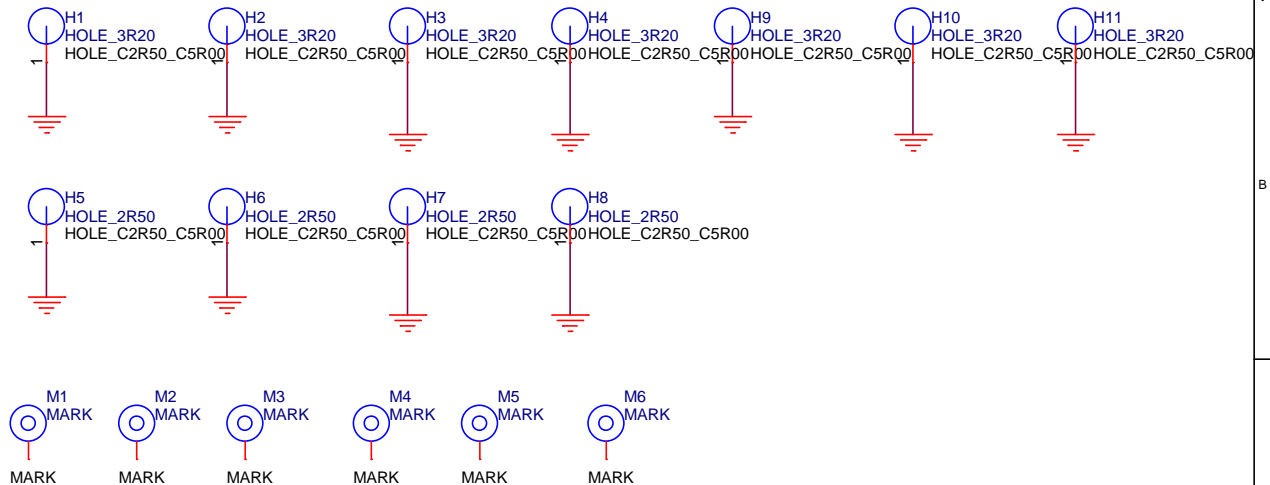
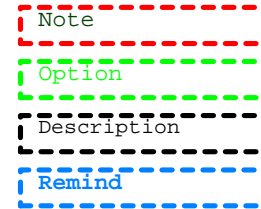
Index

- 00.Cover Page
- 01.Index
- 02.Revision History
- 03.Block Diagram
- 04.I2C MAP
- 05.Power diagram and Sequence
- 09.RK3399 Pro GND
- 10.RK3399 Pro Power
- 11.RK3399 Pro OSC/PMUIO1/PMUIO2
- 12.RK3399 Pro DDR
- 13.RK3399 Pro EMMC
- 14.RK3399 Pro USB2.0/TYPEC/PCIE
- 15.RK3399 Pro SARADC/GPIO
- 16.RK3399 Pro SDMMC0/SDMMC1
- 17.RK3399 Pro Display
- 19.RK3399 Pro RGMII/LCDC/CIF
- 20.POWER-DC IN
- 21.POWER_PMIC RK809-3
- 22.POWER_CPU/GPU/NPU
- 25.USB2.0 Port
- 26.TYPEC Port
- 31.NPU RAM LPDDR3 1X32bit
- 36.RAM LPDDR3 2X16bit
- 41.EMMC
- 42.SPI FLASH
- 46.CAMER-MIPI CSI
- 47.CAMERA-CIF
- 48.MIPI_DSI
- 50.LCM-EDP PANNEL
- 61.WIFI/BT AP6354
- 65.RGMII-10/100/1000M
- 70.AUDIO1
- 75.AUDIO2-MIC Array Connector
- 77.TP COB-GSL1680
- 82.HDMI Port
- 90.SENSOR
- 91.TF CARD
- 92.KEY BOARD
- 94.PCIEX4
- 96.EFUSE
- 97.DEBUG

Note

- NOTE 1:**
Component parameter description
1. DNP stands for component not mounted temporarily
 2. If Value or option is DNP, which means the area is reserved without being mounted
 3. If Flash is compatible, please notice when eMMC is used, the option is that @eMMC is mounted, @Nand is not mounted when Nand is used, the option is that @Nand is mounted, @eMMC is not mounted

NOTE 2:
 Please use our recommended components to avoid too many changes.For more informations about the second source,please refer to our AVL.

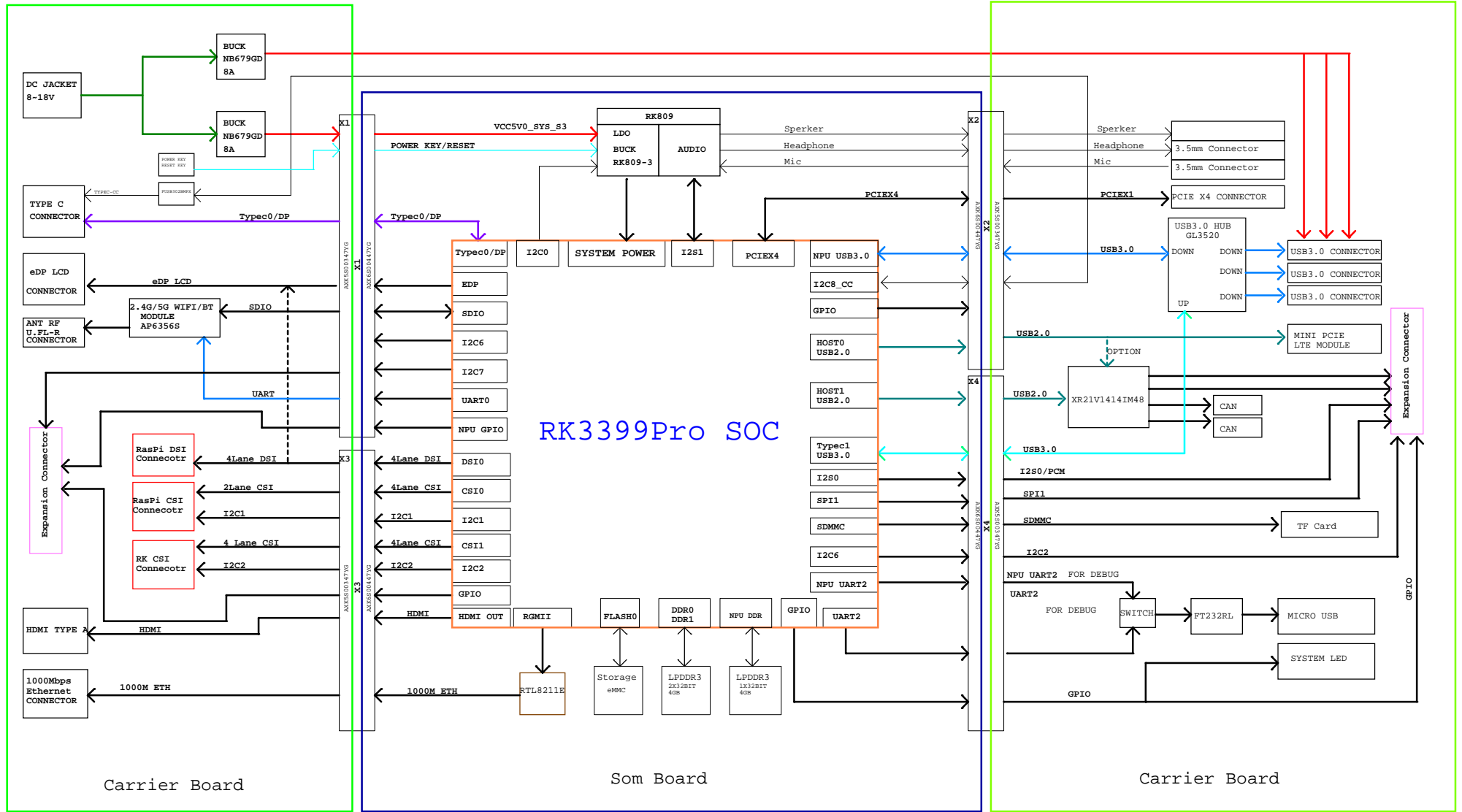


 贝启科技 beiqicloud.com 厦门贝启科技有限公司			
项目:	Linaro SoM Carrier Boards		
文件:	RK3399Pro Carrier		
图纸:	01.Index		
修改日期:	Monday, March 11, 2019	版本:	V0.1
设计者:	CZA	页码:	1 of 27

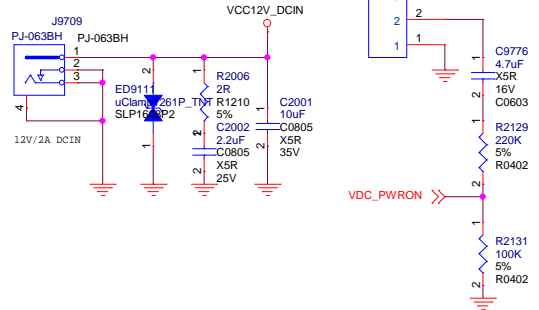
Version	Date	Author	Change List	Approved
0.1	2019.2.2		First edition for RK3399Pro	CZA

 贝启科技 厦门贝启科技有限公司 <small>beiqitech.com</small>			
项目:	Linaro SoM Carrier Boards		
文件:	RK3399Pro Carrier		
图纸:	02.Revision History		
修改日期:	Monday, March 11, 2019	版本:	V0.1
设计者:	CZA	页码:	2 of 27

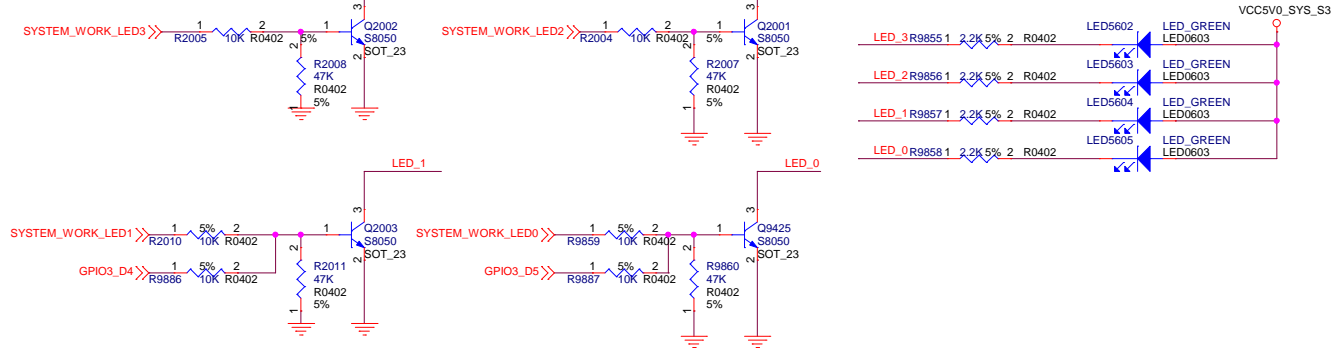
Linaro AUTO RK3399PRO BLOCK Diagram



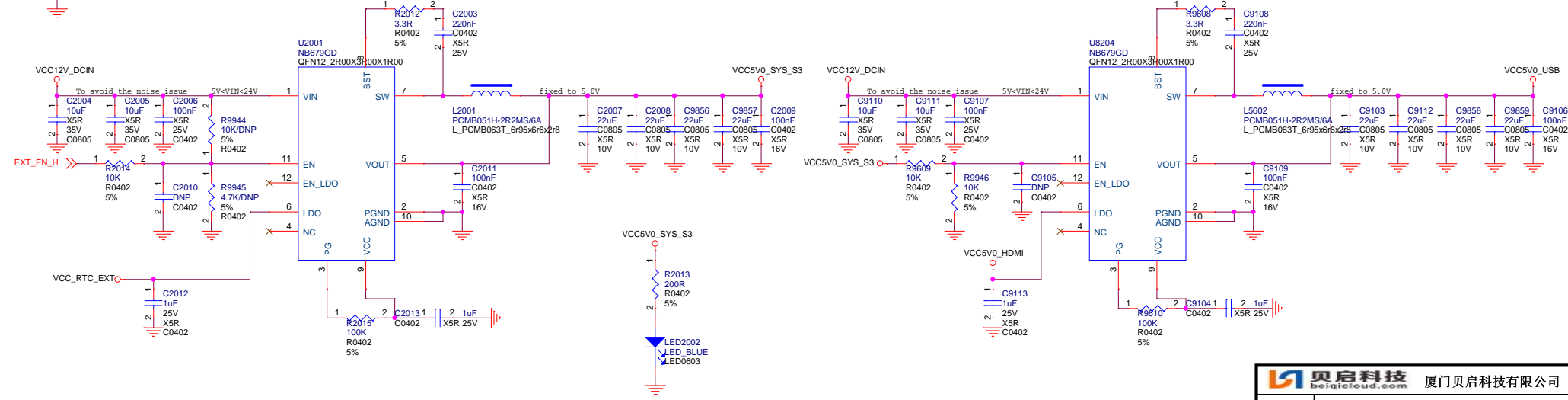
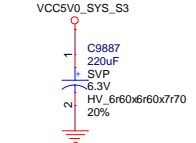
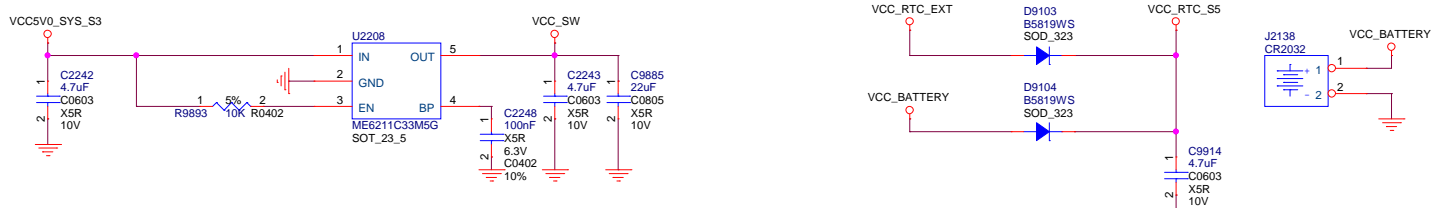
DC IN 12V



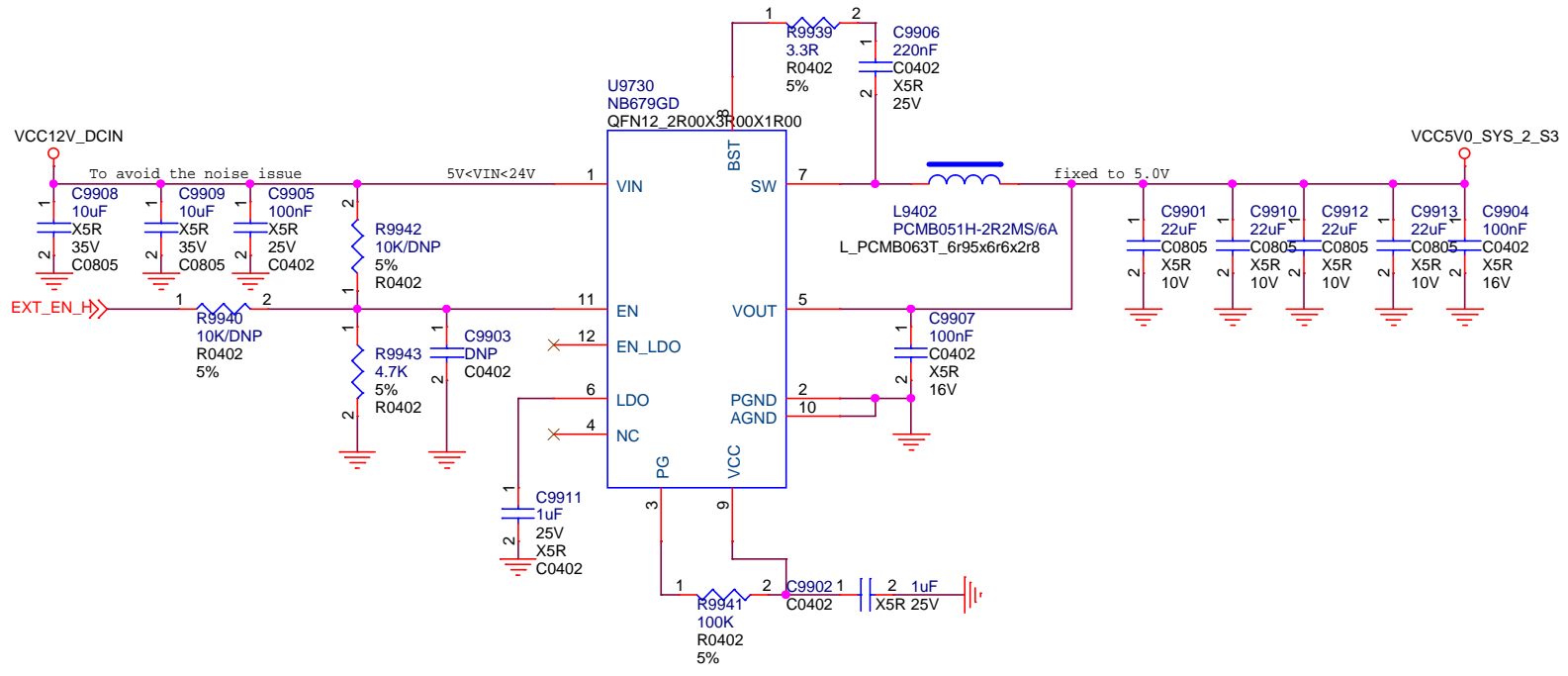
SYSTEM WORK LED




BUCK 5V

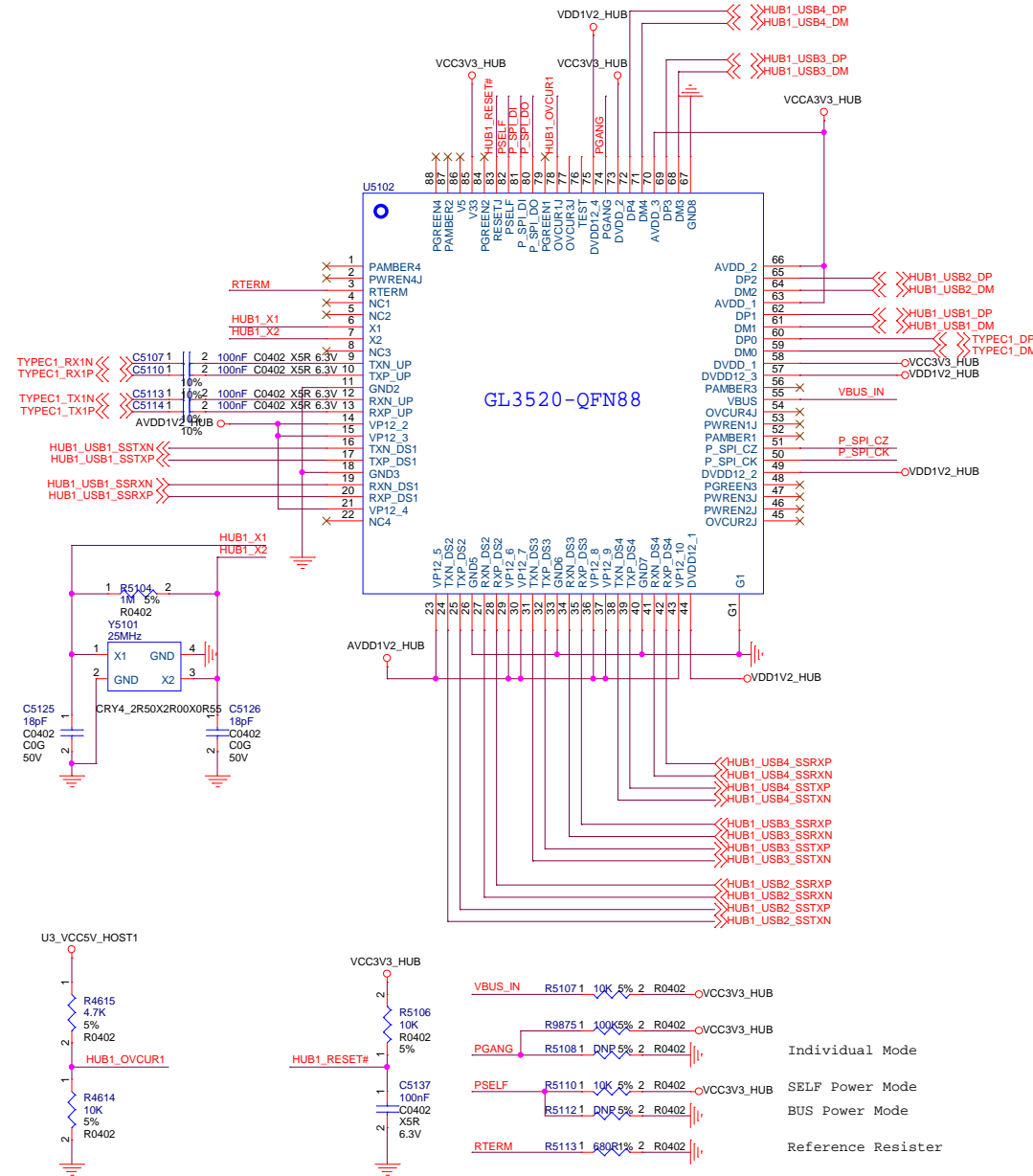


厦门贝启科技有限公司			
项目:	Linaro SoM Carrier Boards		
文件:	RK3399Pro Carrier		
图纸:	04.Power-DCIN_12V		
修改日期:	Monday, March 11, 2019	版本:	V0.1
设计者:	CZA	页码:	4 of 27

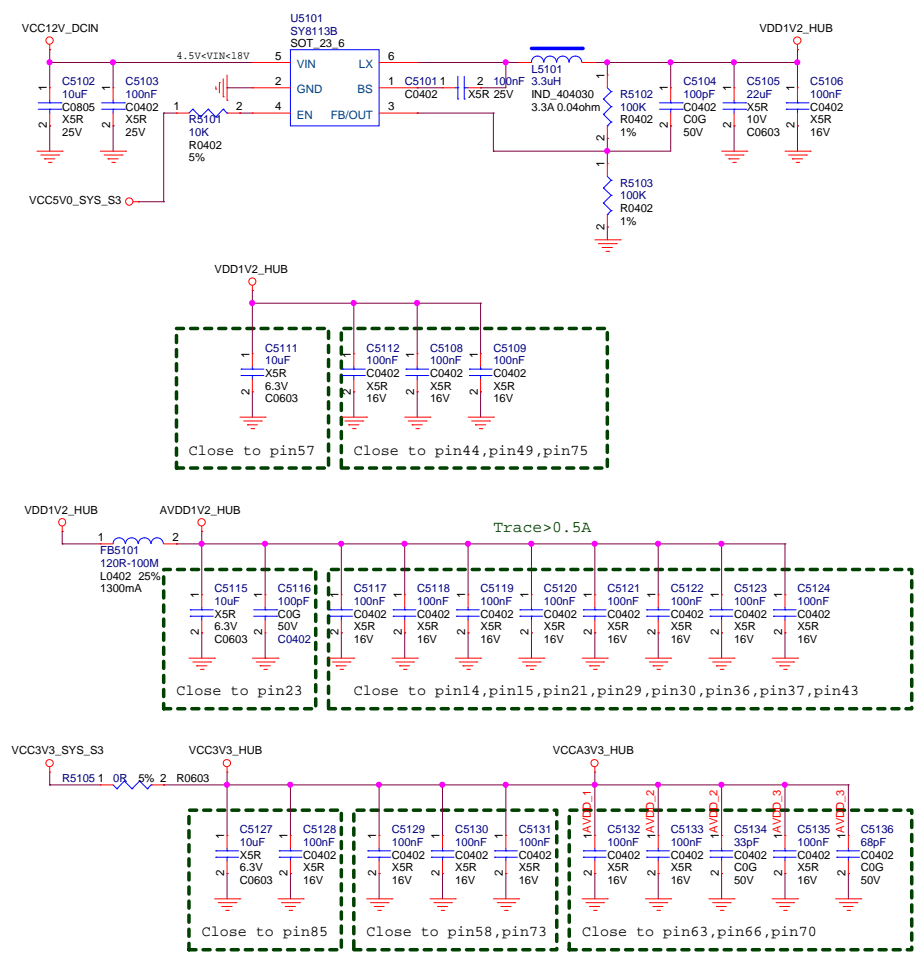


 贝启科技 beiqicloud.com		厦门贝启科技有限公司	
项目:	Linaro SoM Carrier Boards		
文件:	RK3399Pro Carrier		
图纸:	05.Power-DC5V		
修改日期:	Monday, March 11, 2019	版本:	V0.1
设计者:	CZA	页码:	5 of 27

USB3.0 HUB

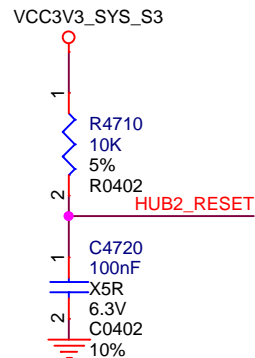
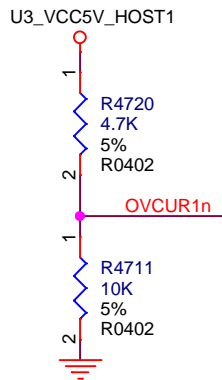
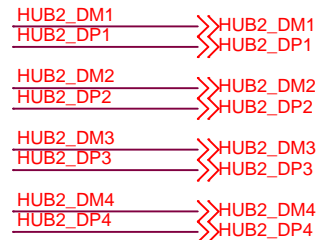
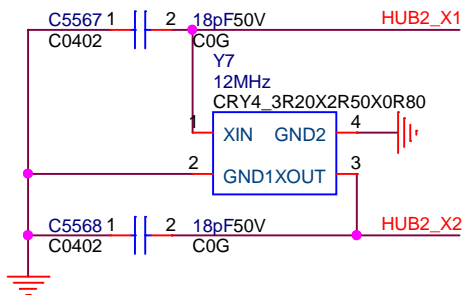
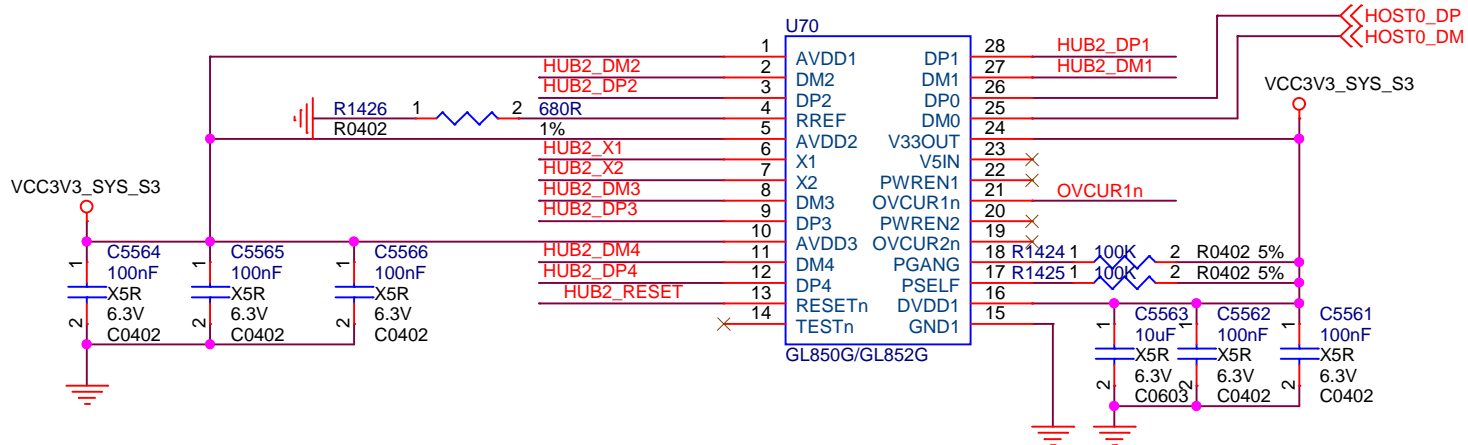


HUB Power



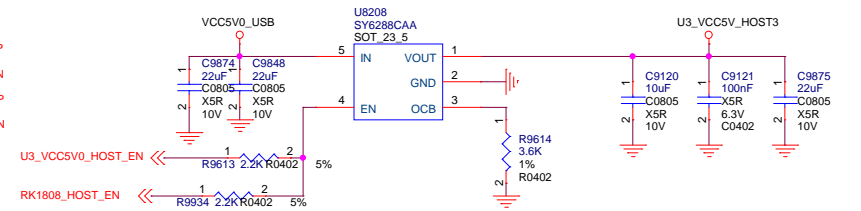
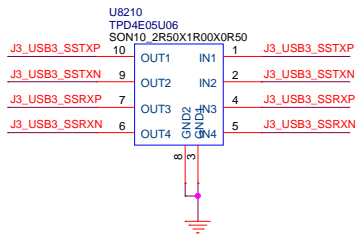
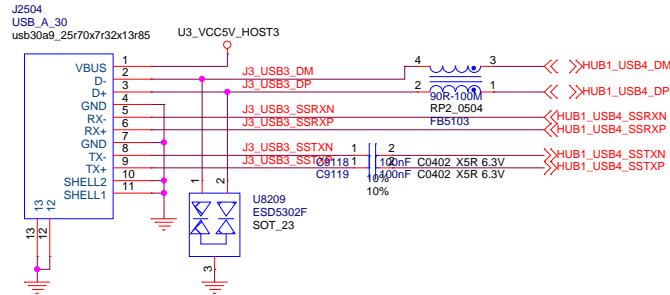
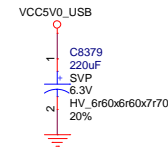
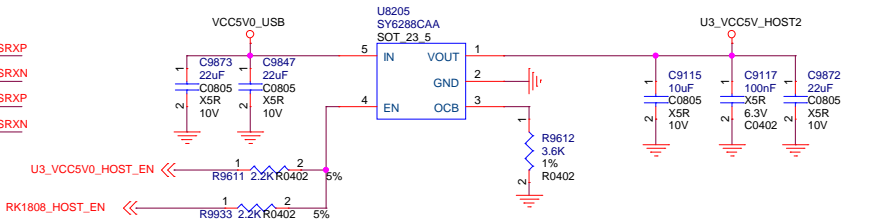
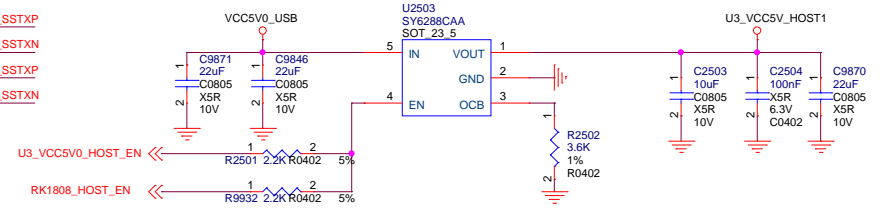
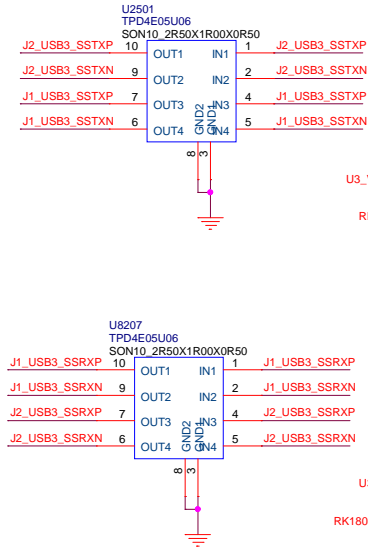
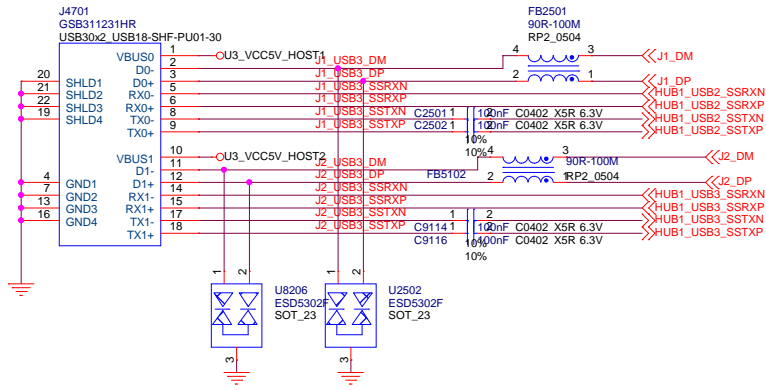
SPI Flash

 贝启科技 beiqitech.com		厦门贝启科技有限公司	
项目:	Linaro SoM Carrier Boards		
文件:	RK3399Pro Carrier		
图纸:	06.USB3.0 HUB-GL3523		
修改日期:	Monday, March 11, 2019	版本:	V0.1
设计者:	CZA	页码:	6 of 27



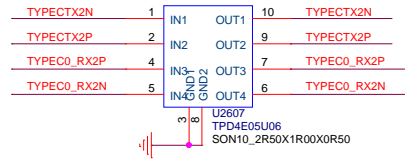
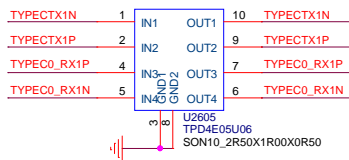
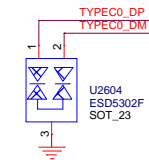
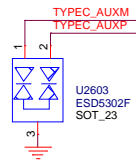
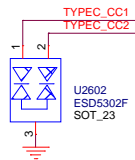
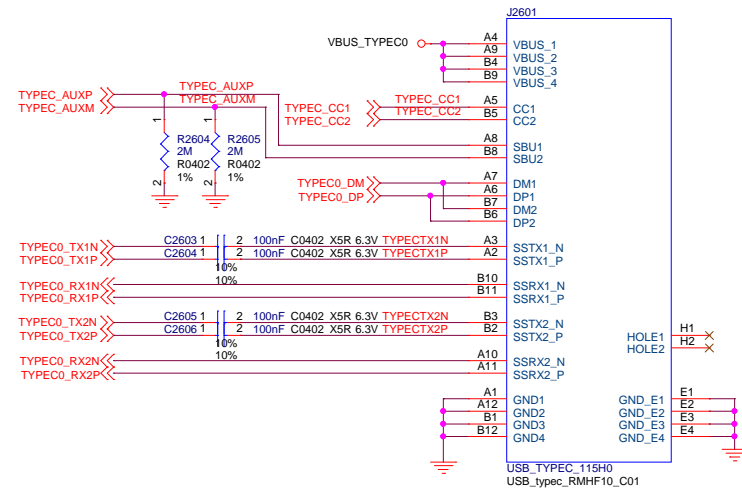
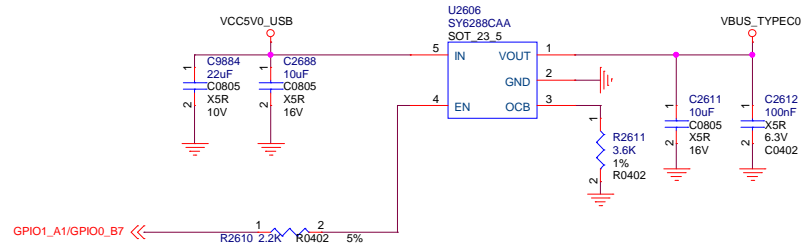
项目:	Linaro SoM Carrier Boards		
文件:	RK3399Pro Carrier		
图纸:	07.USB 2.0 HUB		
修改日期:	Monday, March 11, 2019	版本:	V0.1
设计者:	CZA	页码:	7 of 27

USB3.0 HOST

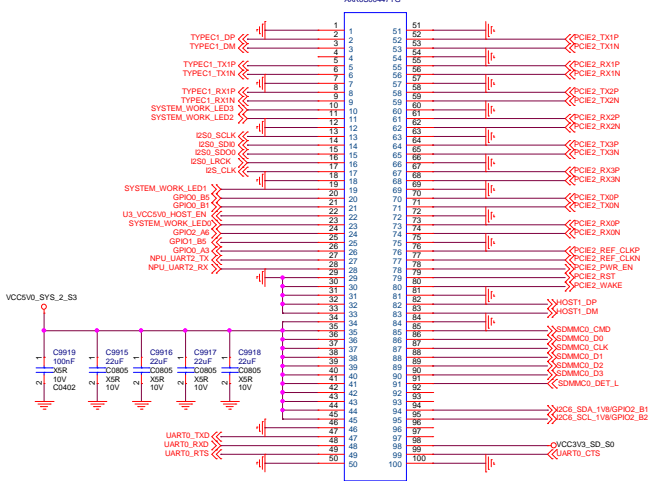
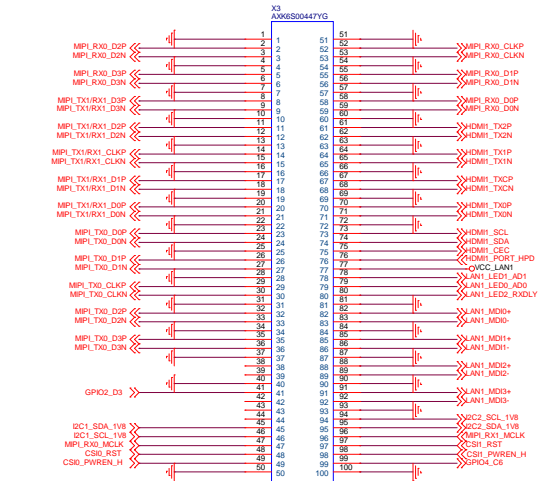
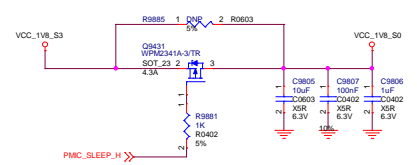
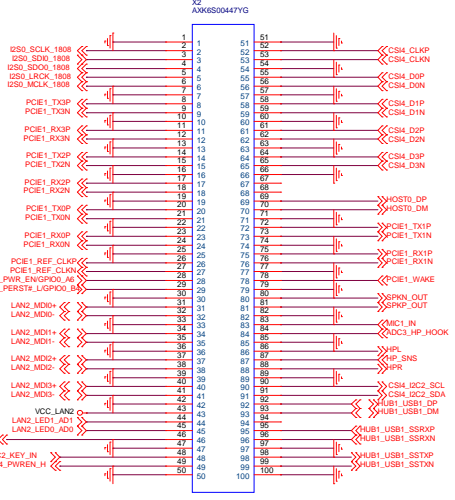
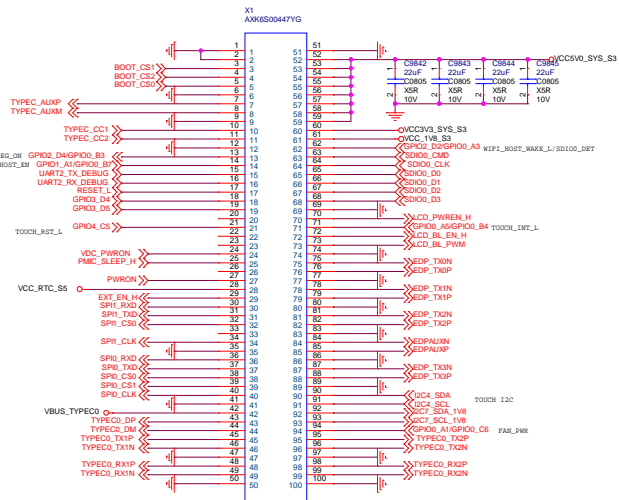


 贝启科技 beiqi.com		厦门贝启科技有限公司	
项目:	Linaro SoM Carrier Boards		
文件:	RK3399Pro Carrier		
图框:	08.USB3.0Port		
修改日期:	Monday, March 11, 2019	版本:	V0.1
设计者:	CZA	页码:	8 of 27

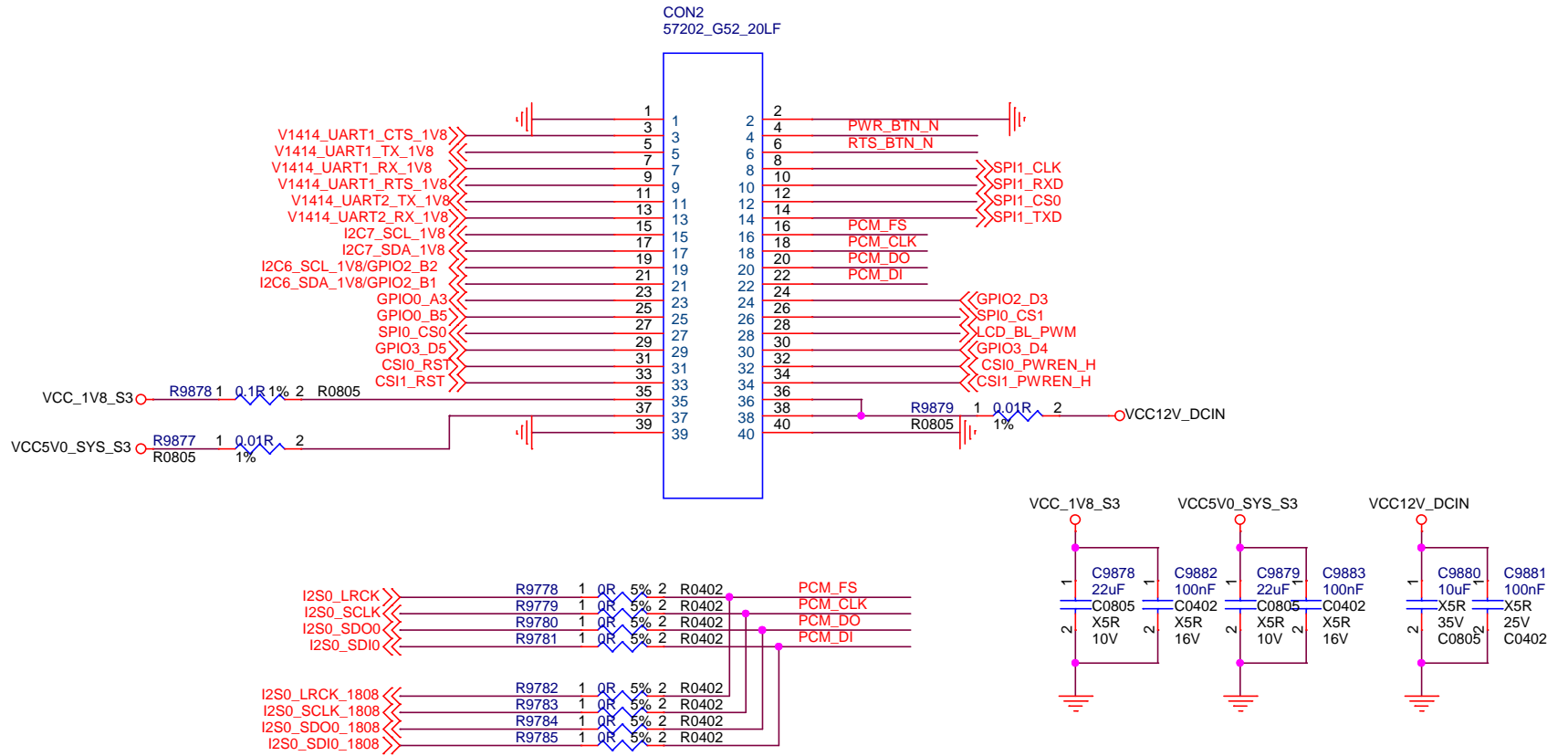
TYPE-C PORT




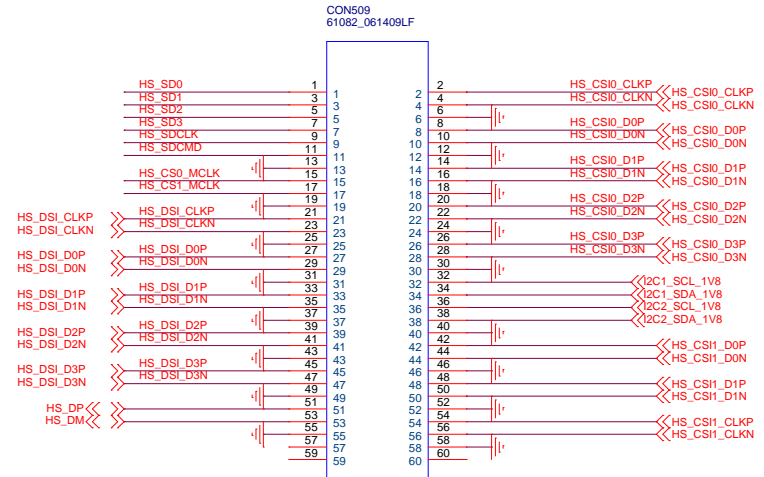
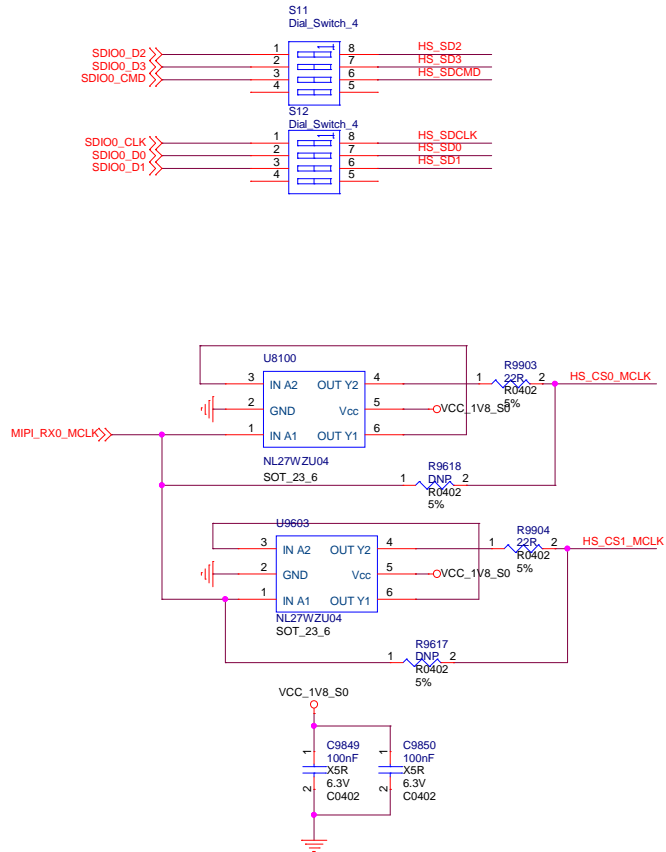
厦门贝启科技有限公司 beiqicloud.com			
项目:	Linaro SoM Carrier Boards		
文件:	RK3399Pro Carrier		
图纸:	09.TypeC Port		
修改日期:	Monday, March 11, 2019	版本:	V0.1
设计者:	CZA	页码:	9 of 27

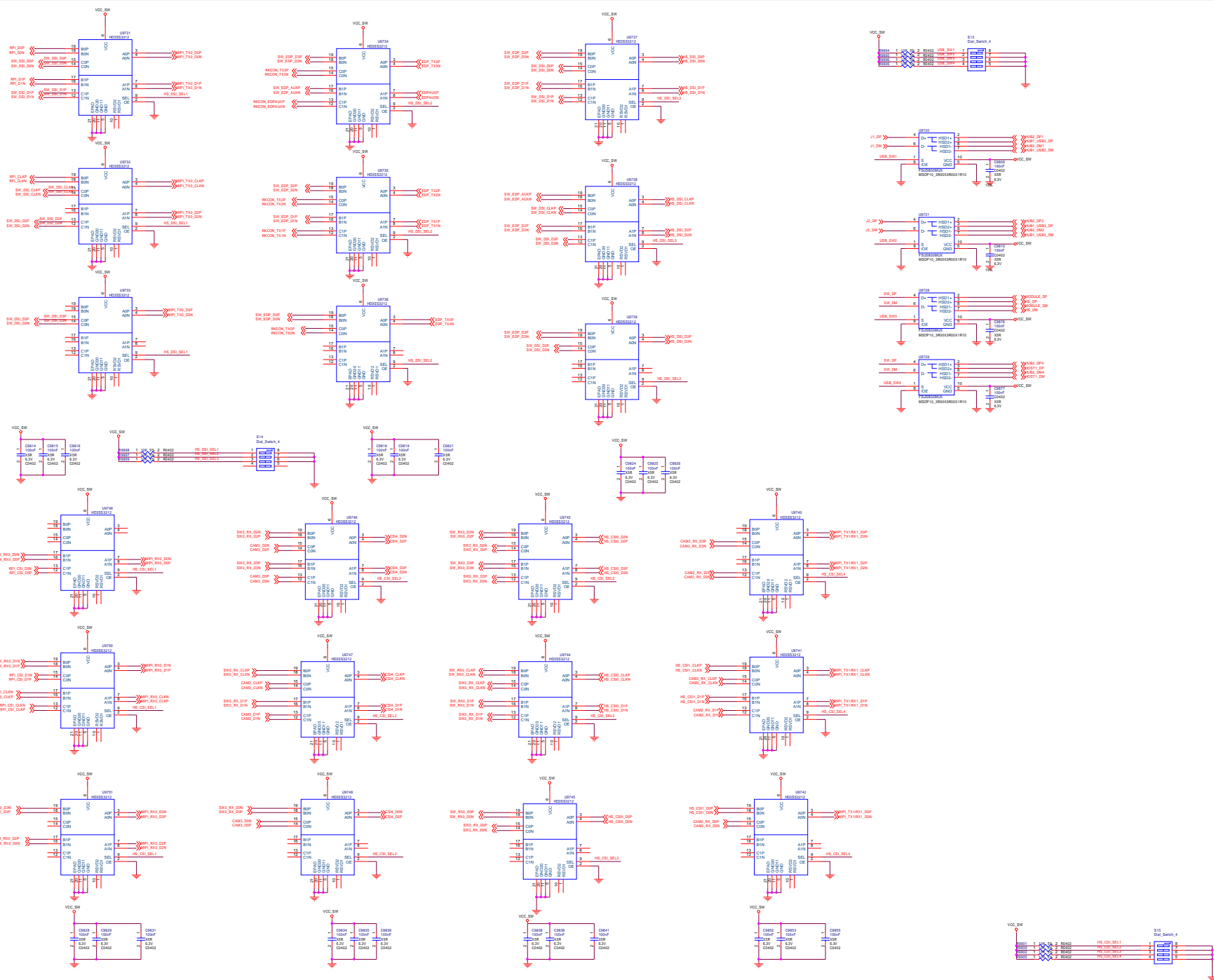


MIPI_TX0



 贝启科技 beiqicloud.com 厦门贝启科技有限公司			
项目:	Linaro SoM Carrier Boards		
文件:	RK3399Pro Carrier		
图纸:	11.Low Speed IO EX		
修改日期:	Monday, March 11, 2019	版本:	V0.1
设计者:	CZA	页码:	11 of 27

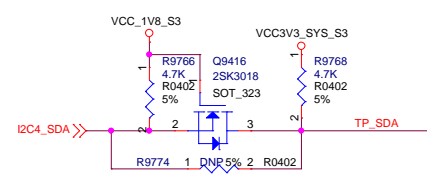
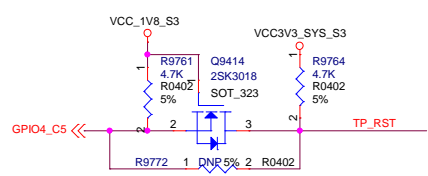
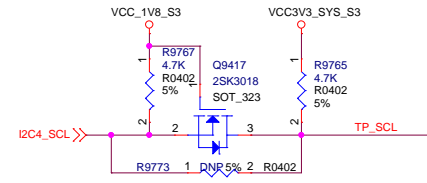
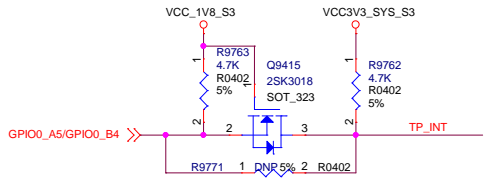
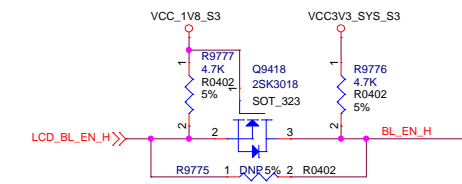
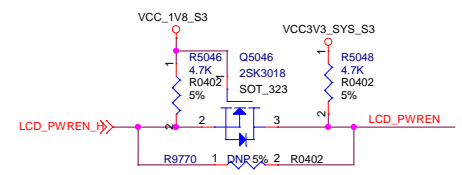
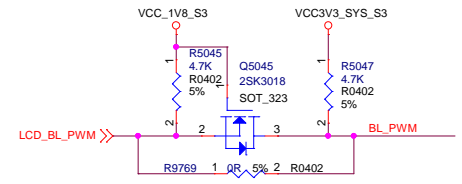
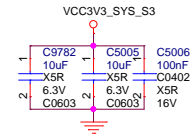
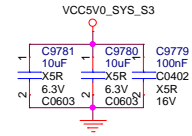
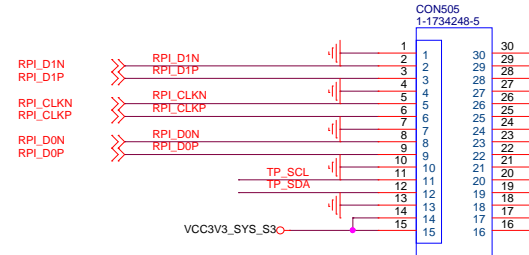
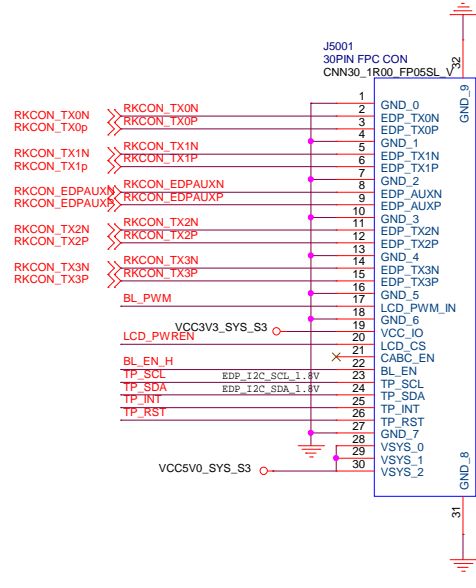




eDP PORT

ROCKCHIP CON

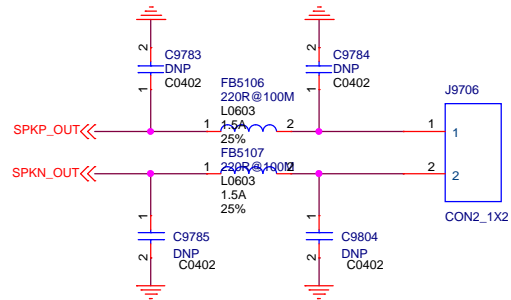
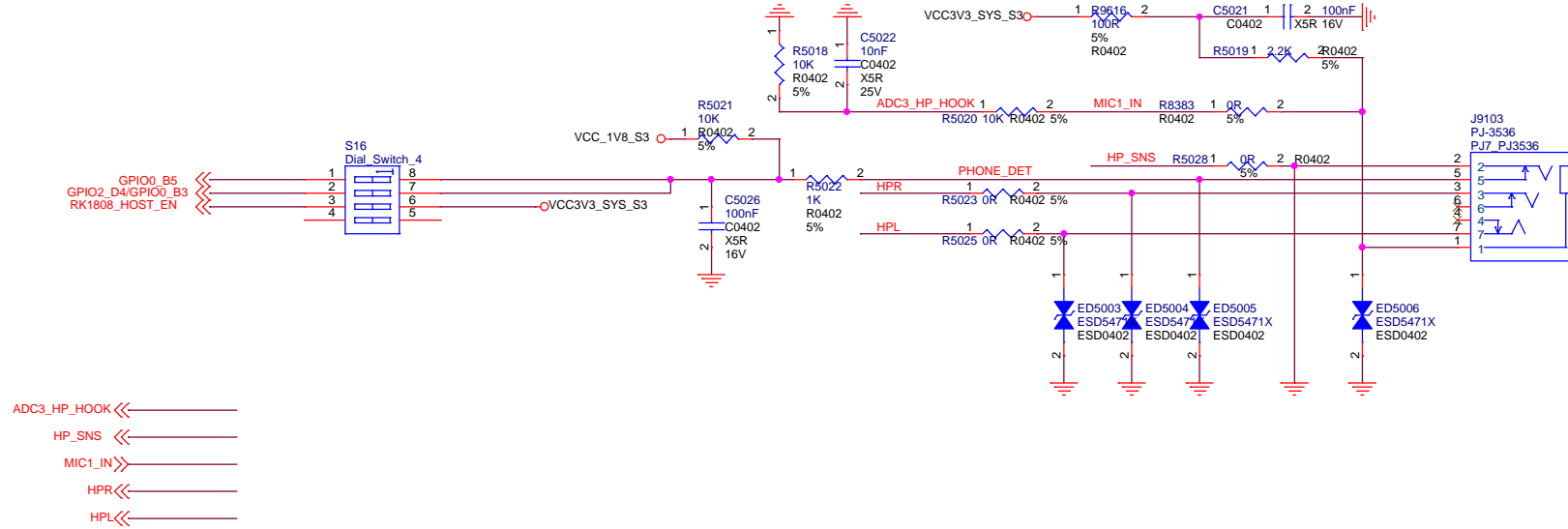
Raspberry CON



厦门贝启科技有限公司 beiqitech.com		
项目:	Linaro SoM Carrier Boards	
文件:	RK3399Pro Carrier	
图纸:	15.LCD_DSI_eDP Panel	
修改日期:	Monday, March 11, 2019	版本: V0.1
设计者:	CZA	页码: 15 of 27

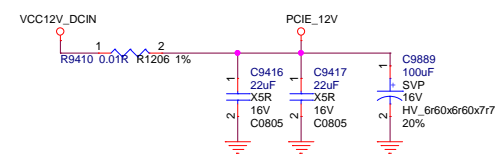
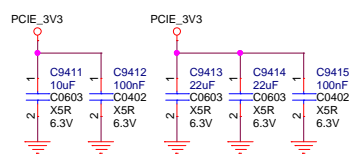
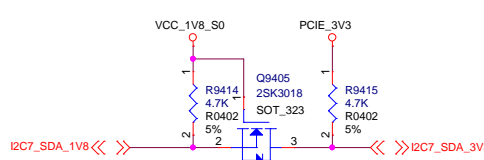
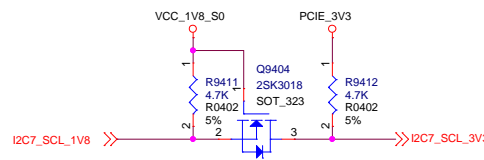
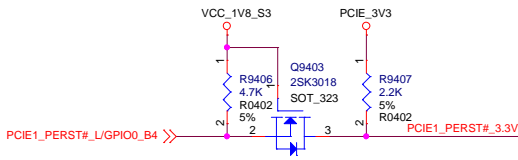
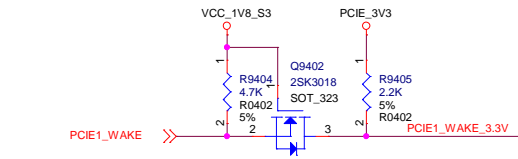
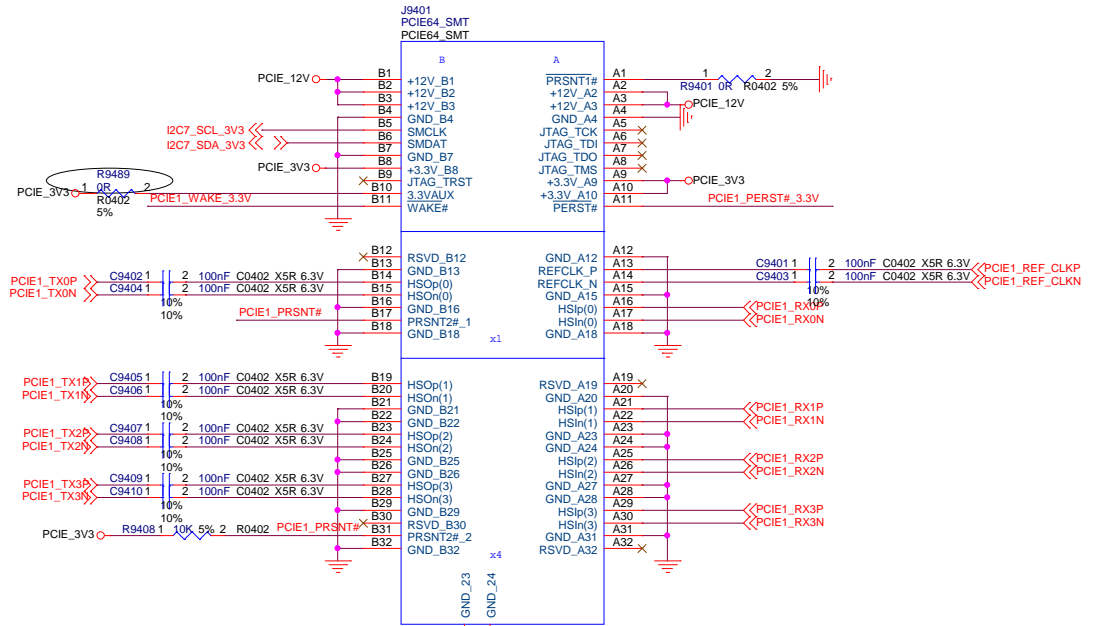
UART RS232 Port1

Headset&MIC

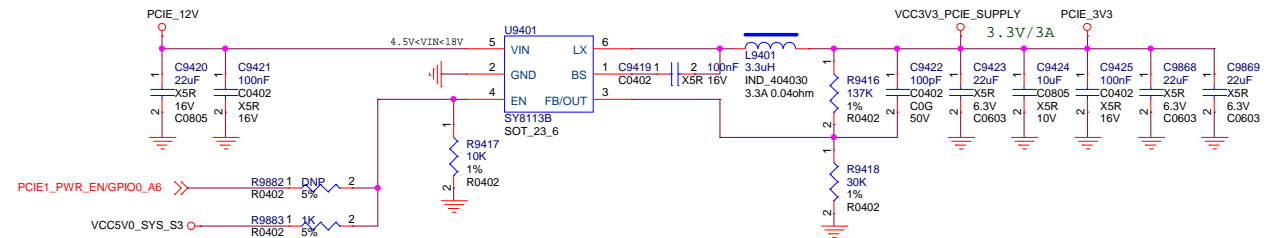


项目:	Linaro SoM Carrier Boards
文件:	RK3399Pro Carrier
图纸:	16.AUDIO CONNECTOR
修改日期:	Monday, March 11, 2019
设计者:	CZA
版本:	V0.1
页码:	16 of 27

PCI.Express

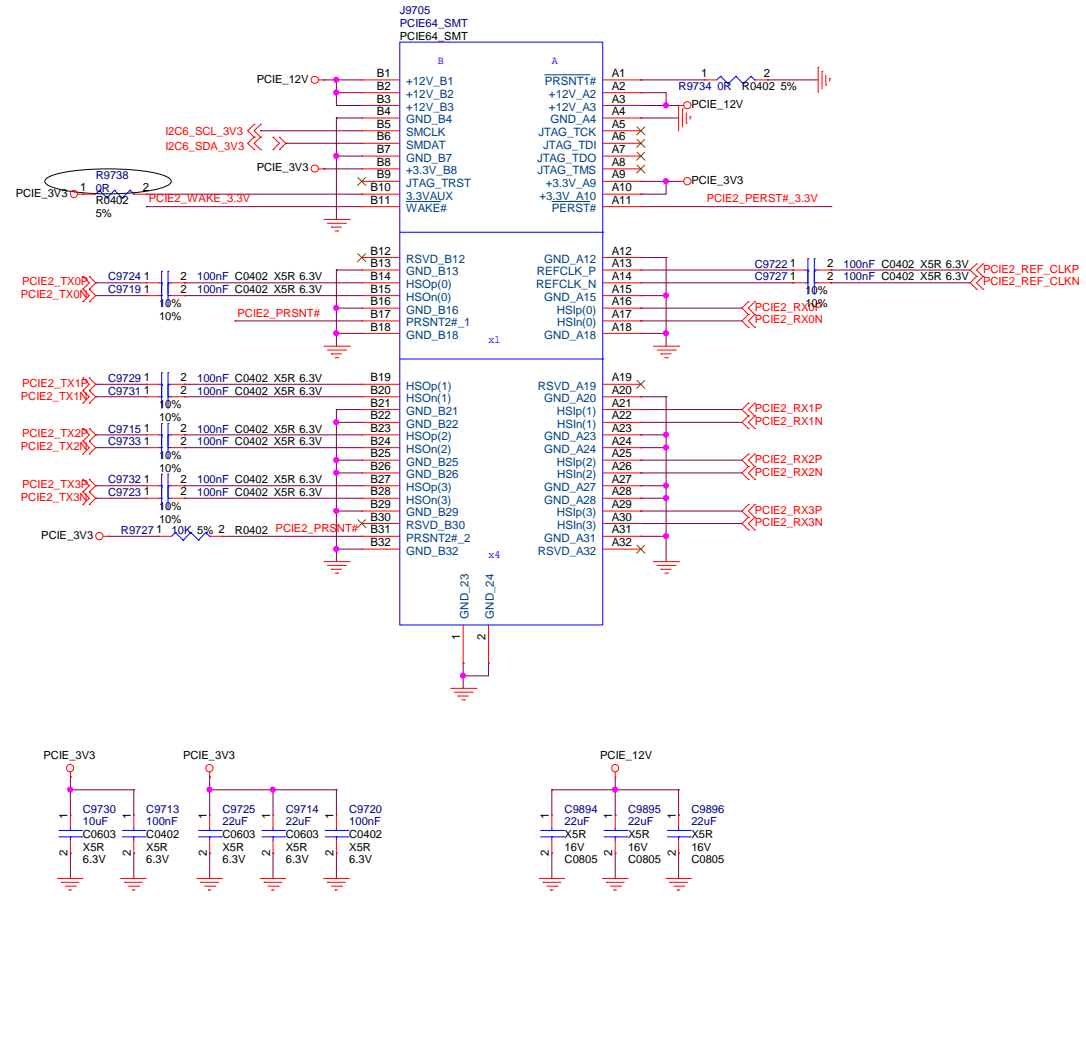


To avoid the noise issue



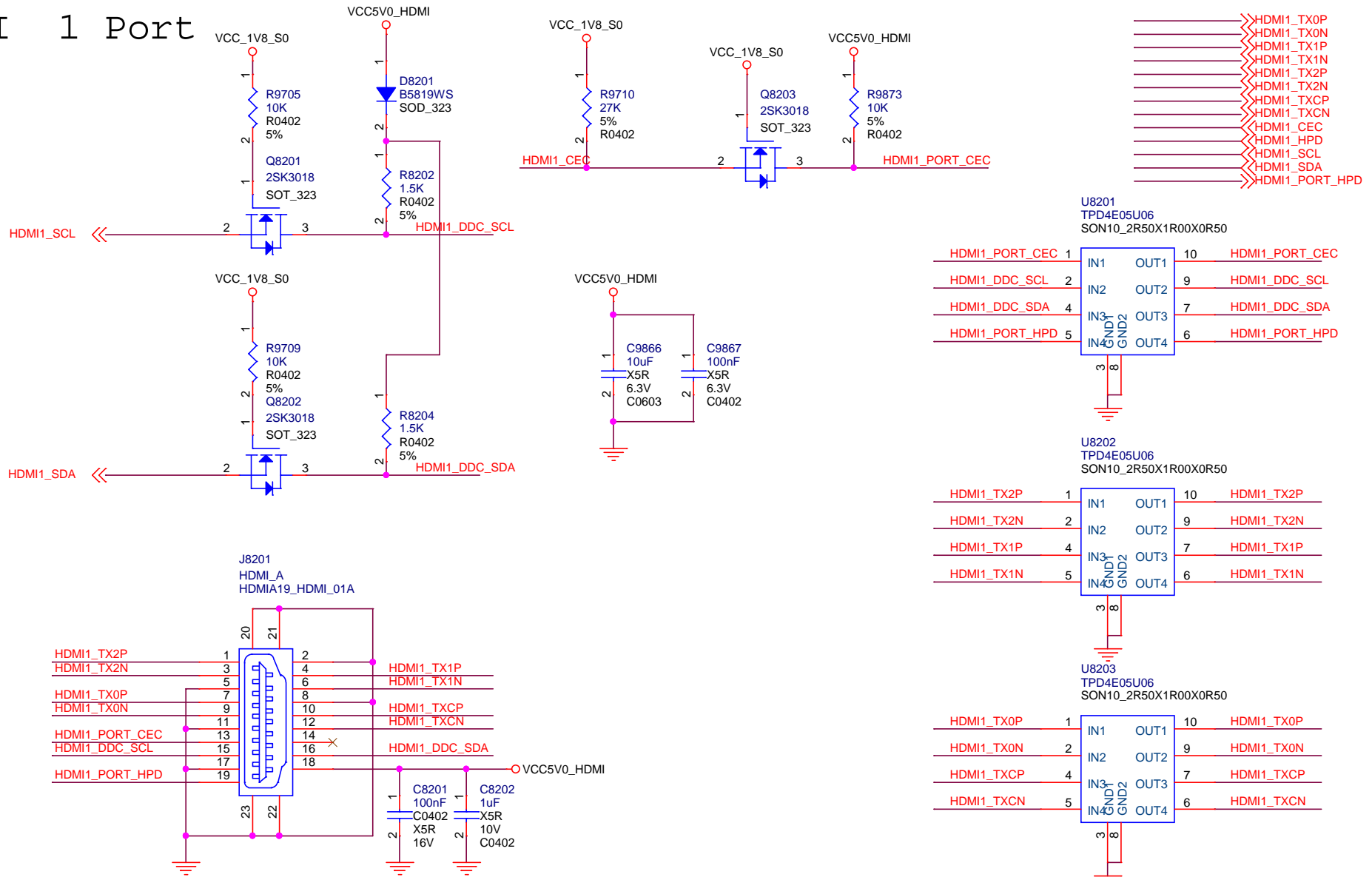
 贝启科技 beijingcloud.com		厦门贝启科技有限公司	
项目:	Linaro SoM Carrier Boards		
文件:	RK3399Pro Carrier		
图纸:	18.PCIEx4 PORT 1		
修改日期:	Monday, March 11, 2019	版本:	V0.1
设计者:	CZA	页码:	18 of 27

PCI . Express



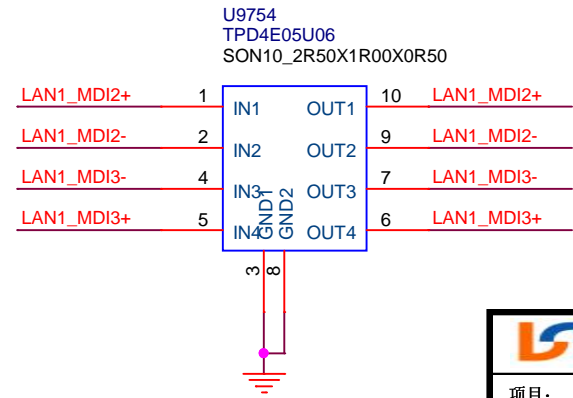
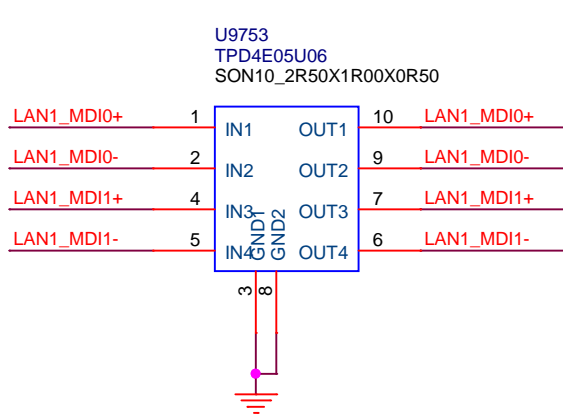
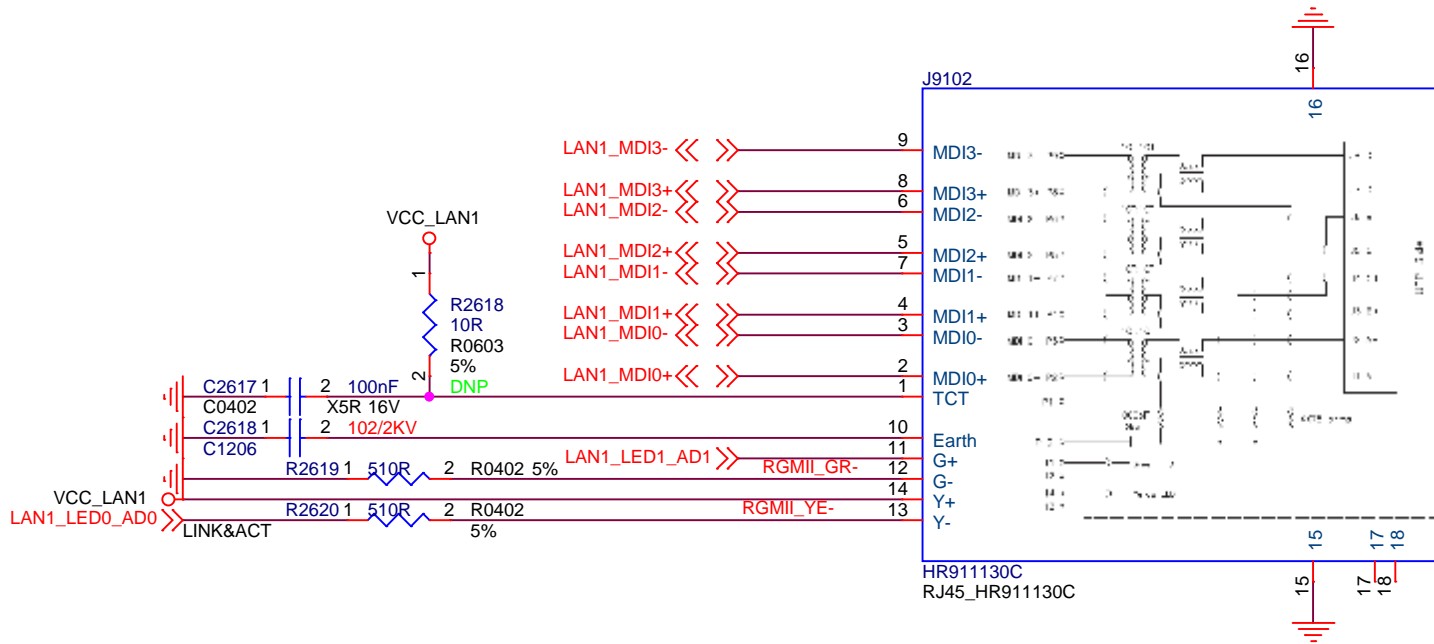
 贝启科技 beiqitech.com		厦门贝启科技有限公司	
项目:	Linaro SoM Carrier Boards		
文件:	RK3399Pro Carrier		
图纸:	19.PCIEx4 PORT 2		
修改日期:	Monday, March 11, 2019	版本:	V0.1
设计者:	CZA	页码:	19 of 27


HDMI 1 Port

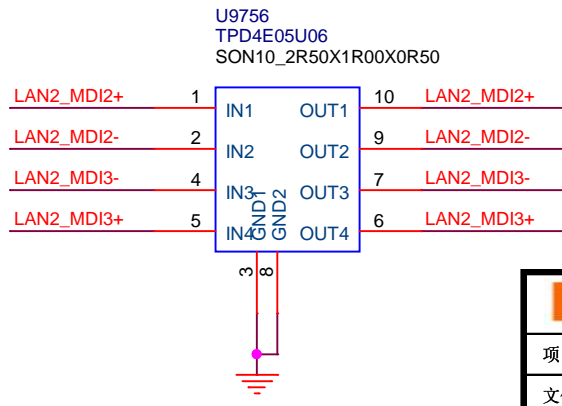
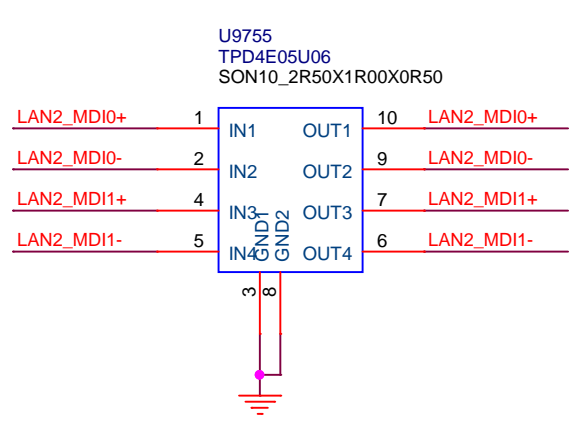
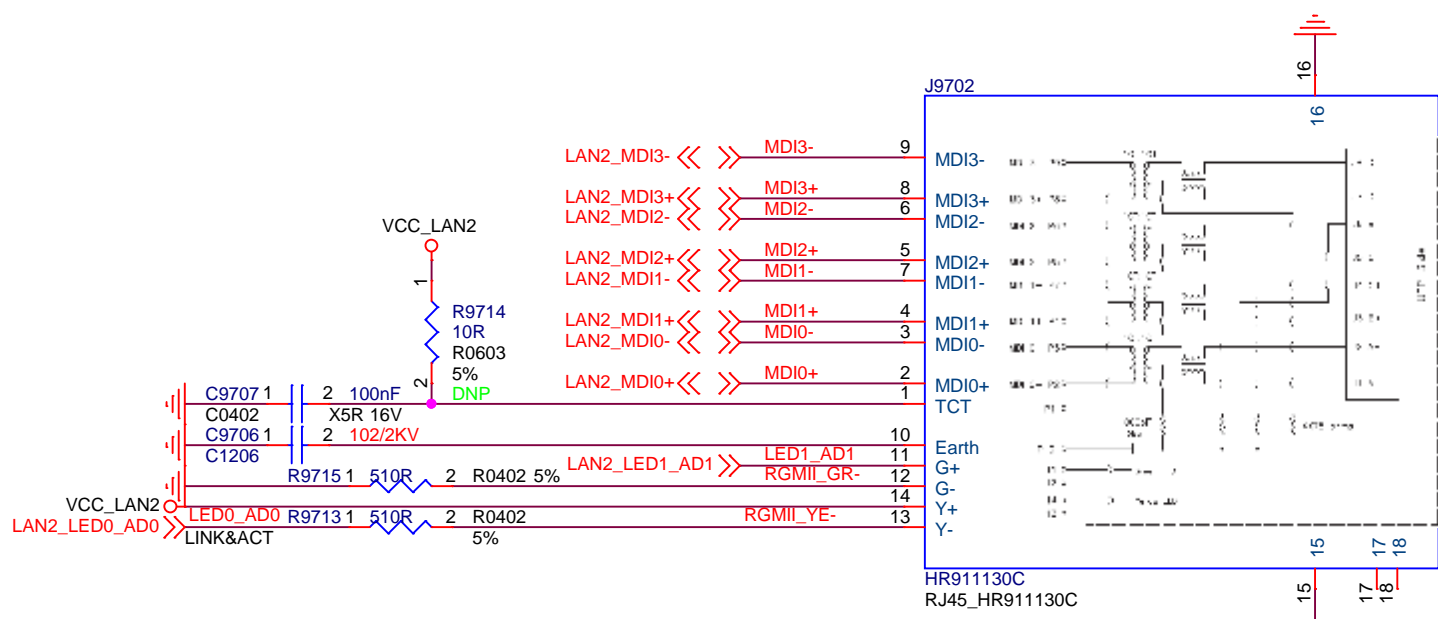



贝启科技 beiqicloud.com 厦门贝启科技有限公司

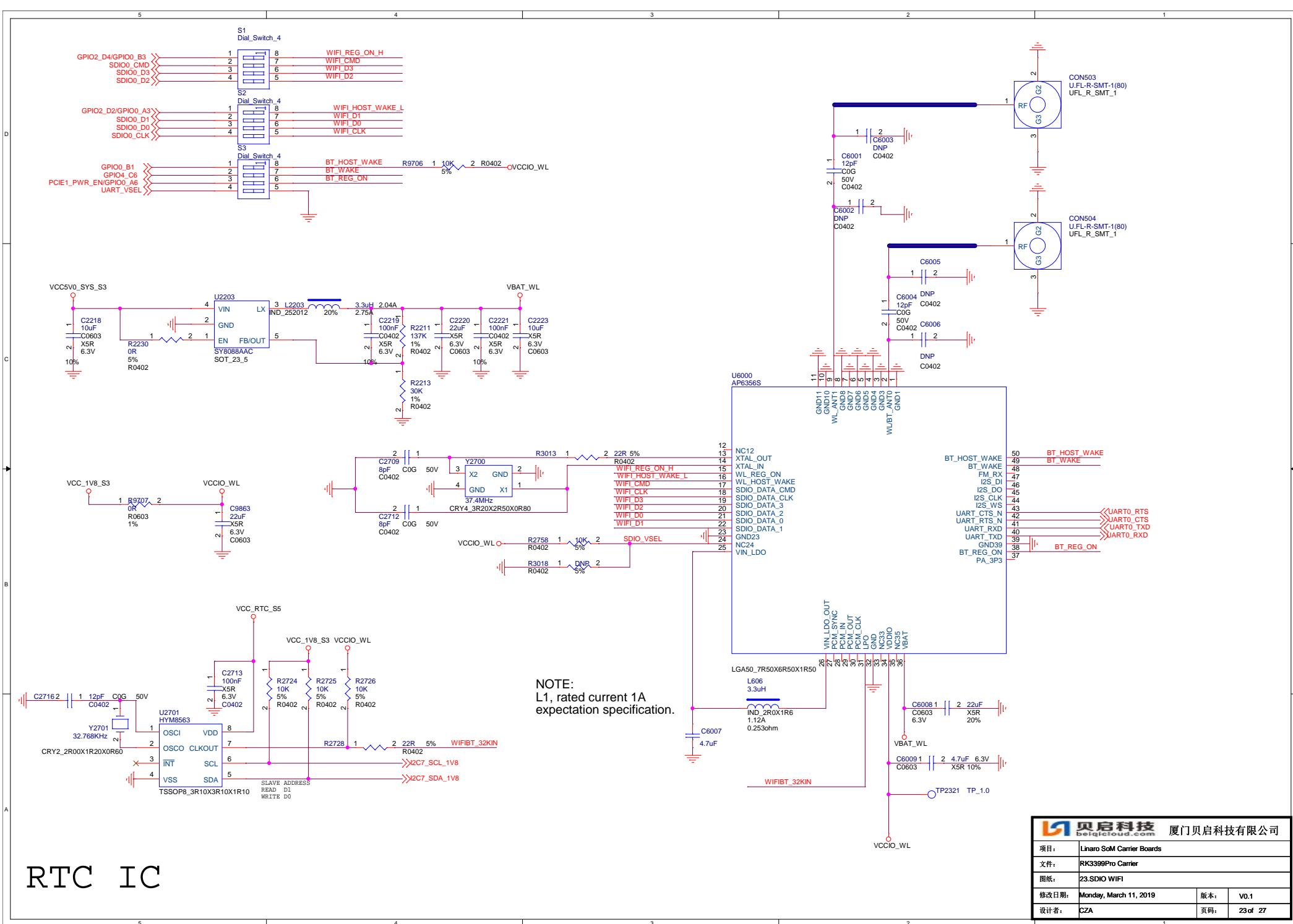
项目:	Linaro SoM Carrier Boards		
文件:	RK3399Pro Carrier		
图纸:	20.HDMI Port 1		
修改日期:	Monday, March 11, 2019	版本:	V0.1
设计者:	CZA	页码:	20 of 27



 贝启科技 厦门贝启科技有限公司 beiqicloud.com			
项目:	Linaro SoM Carrier Boards		
文件:	RK3399Pro Carrier		
图纸:	21.ETHERNET1		
修改日期:	Monday, March 11, 2019	版本:	V0.1
设计者:	CZA	页码:	21 of 27



 贝启科技 厦门贝启科技有限公司 beiqicloud.com			
项目:	Linaro SoM Carrier Boards		
文件:	RK3399Pro Carrier		
图纸:	22.ETHERNET2		
修改日期:	Monday, March 11, 2019	版本:	V0.1
设计者:	CZA	页码:	22 of 27



RTC IC

NOTE:
L1, rated current 1A
expectation specification.

 厦门贝启科技有限公司 beigicloud.com	
项目:	Linaro SoM Carrier Boards
文件:	RK3399Pro Carrier
图纸:	23.SDIO WIFI
修改日期:	Monday, March 11, 2019
设计者:	CZA
版本:	V0.1
页码:	23 of 27

TF Card

SD_D2	R9102	1	22R	5%	2	R0402
SD_D3	R9103	1	22R	5%	2	R0402
SD_CMD	R9104	1	22R	5%	2	R0402
SD_CLK	R9101	1	22R	5%	2	R0402
SD_D0	R9105	1	22R	5%	2	R0402
SD_D1	R9106	1	22R	5%	2	R0402
SD_DET	R9107	1	22R	5%	2	R0402

J9101
TF-CKT01-009D
TF9_CKT01_009D

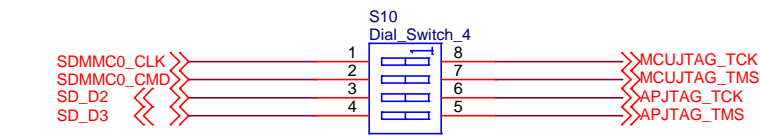
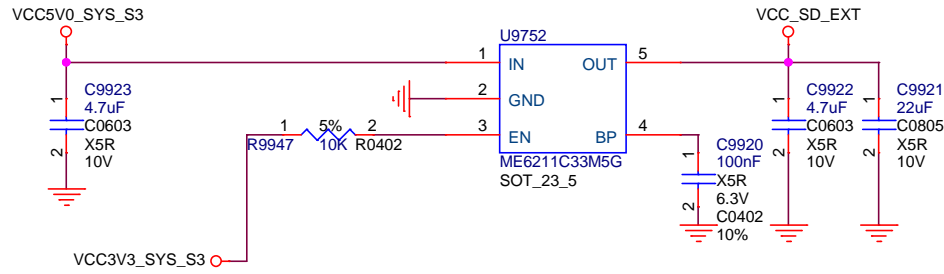
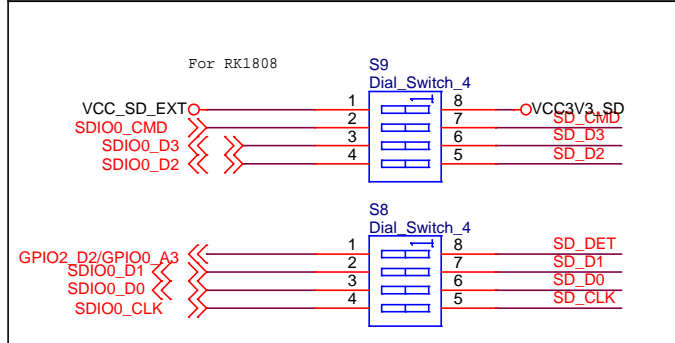
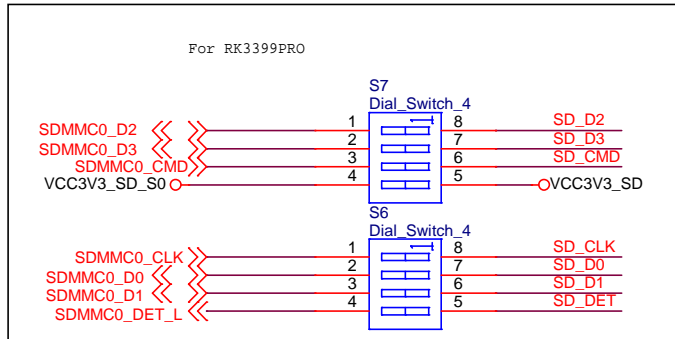
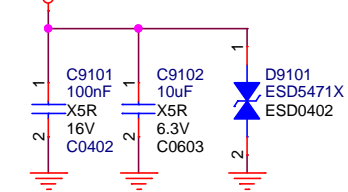
1	DATA2
2	CD/DATA3
3	CMD
4	VDD
5	CLK
6	VSS
7	DATA0
8	DATA1
9	CD
10	G1
11	G2
12	G3
13	G4


VCC3V3_SD

ED9107
ED9106
ED9105
ED9104
ED9103
ED9102
ED9101

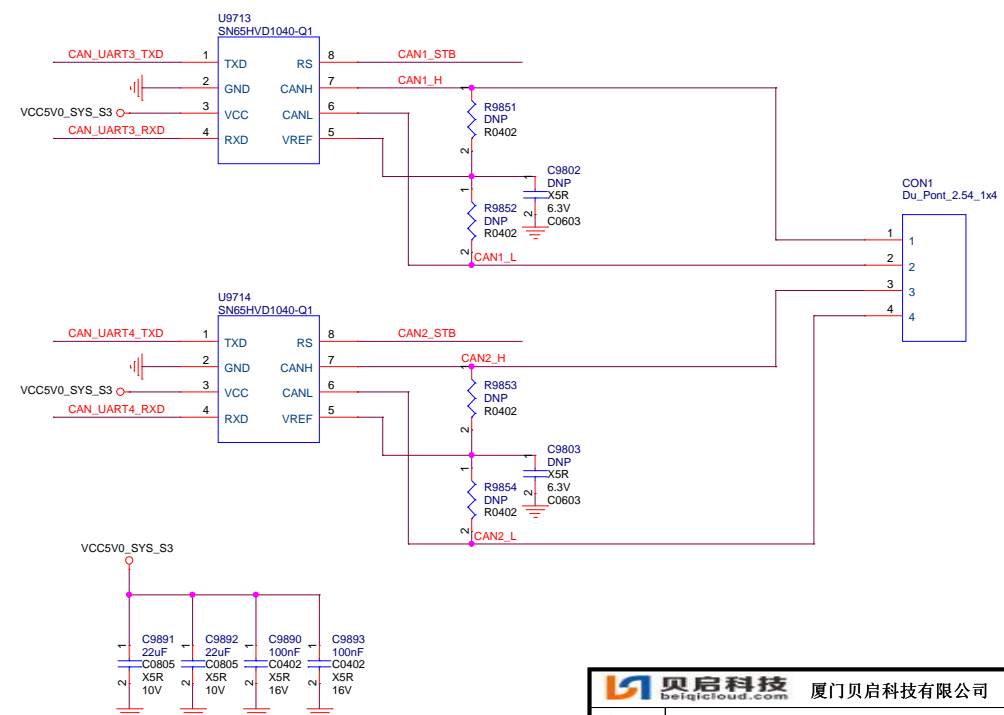
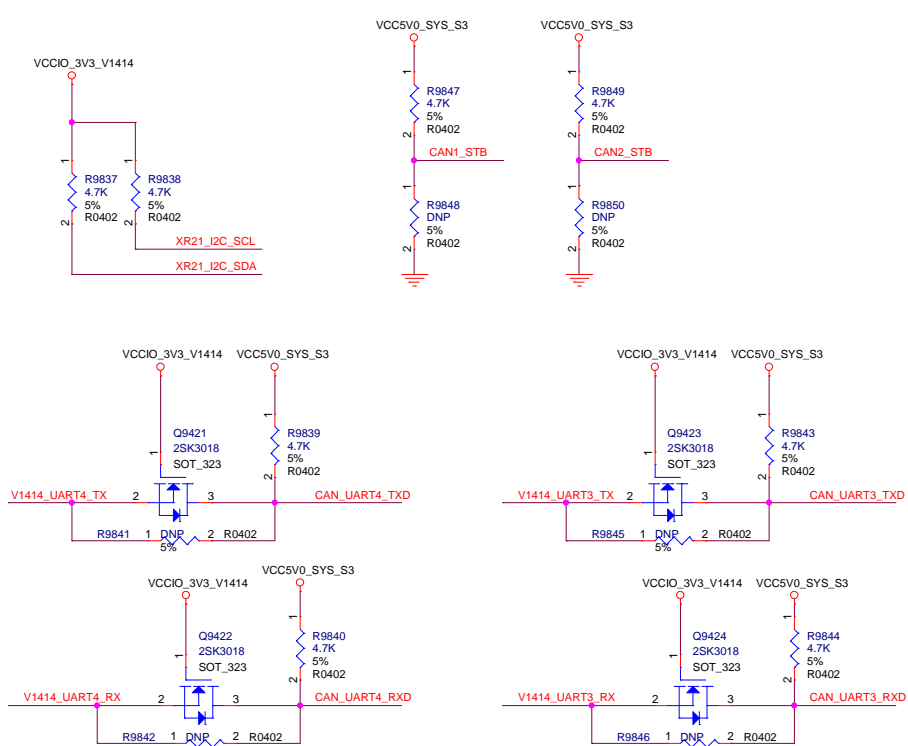
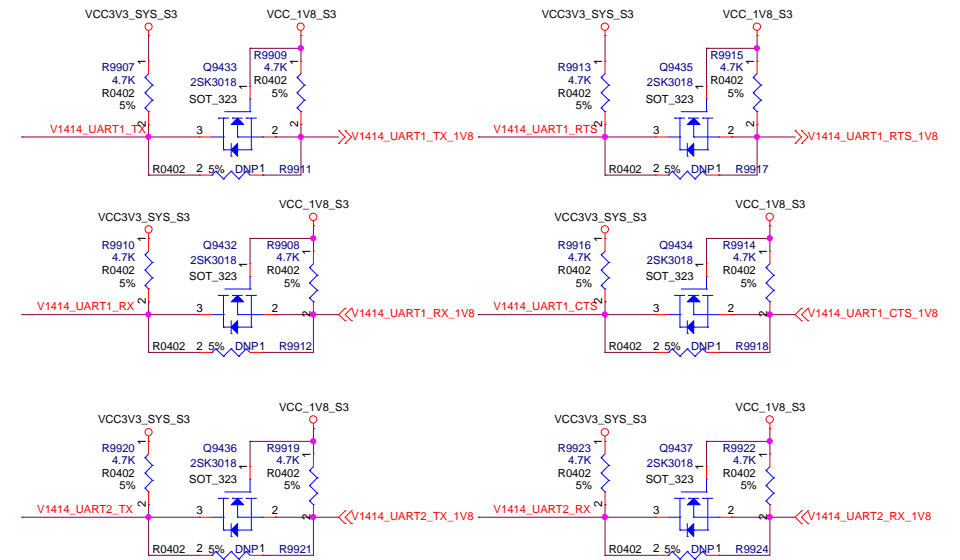
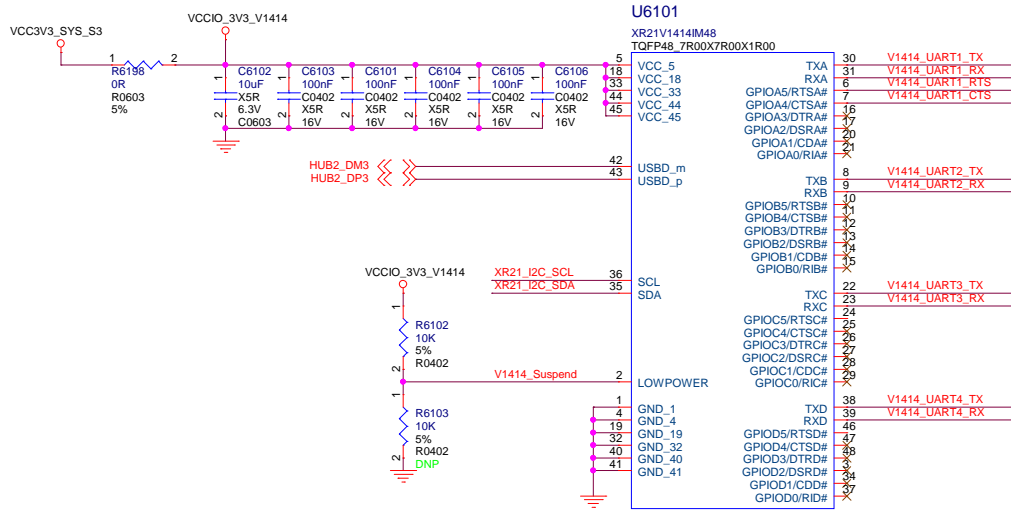
ESD5471X ESD0402
ESD5471X ESD0402
ESD5471X ESD0402
ESD5471X ESD0402
ESD5471X ESD0402
ESD5471X ESD0402
ESD5471X ESD0402

VCC3V3_SD

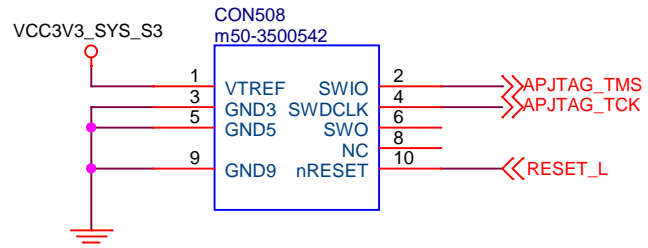
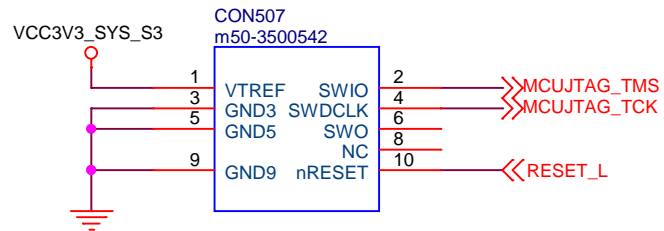
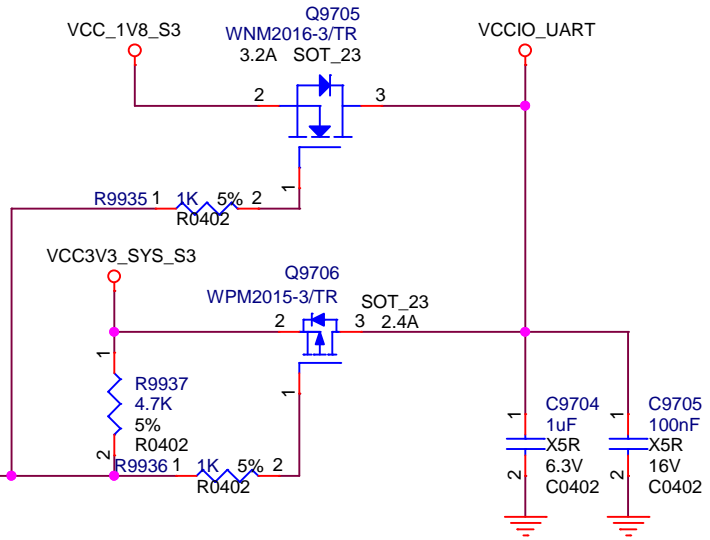
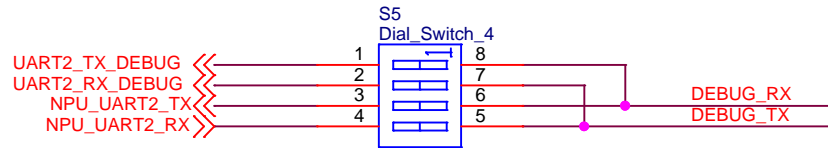
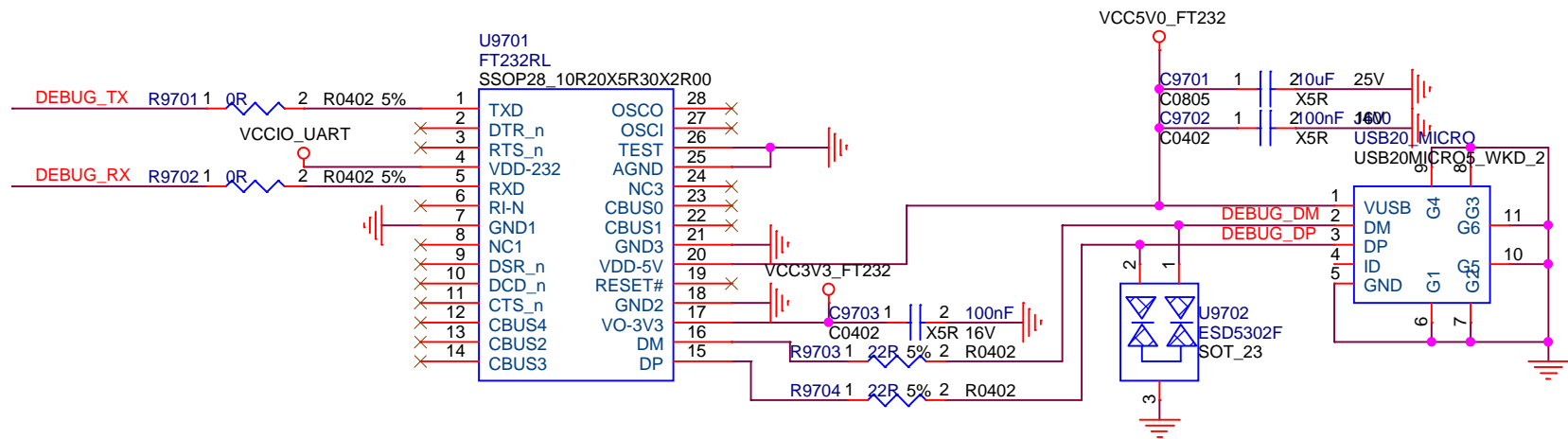



 贝启科技 beiqicloud.com		厦门贝启科技有限公司	
项目:	Linaro SoM Carrier Boards		
文件:	RK3399Pro Carrier		
图纸:	24.TF Card		
修改日期:	Monday, March 11, 2019	版本:	V0.1
设计者:	CZA	页码:	24 of 27

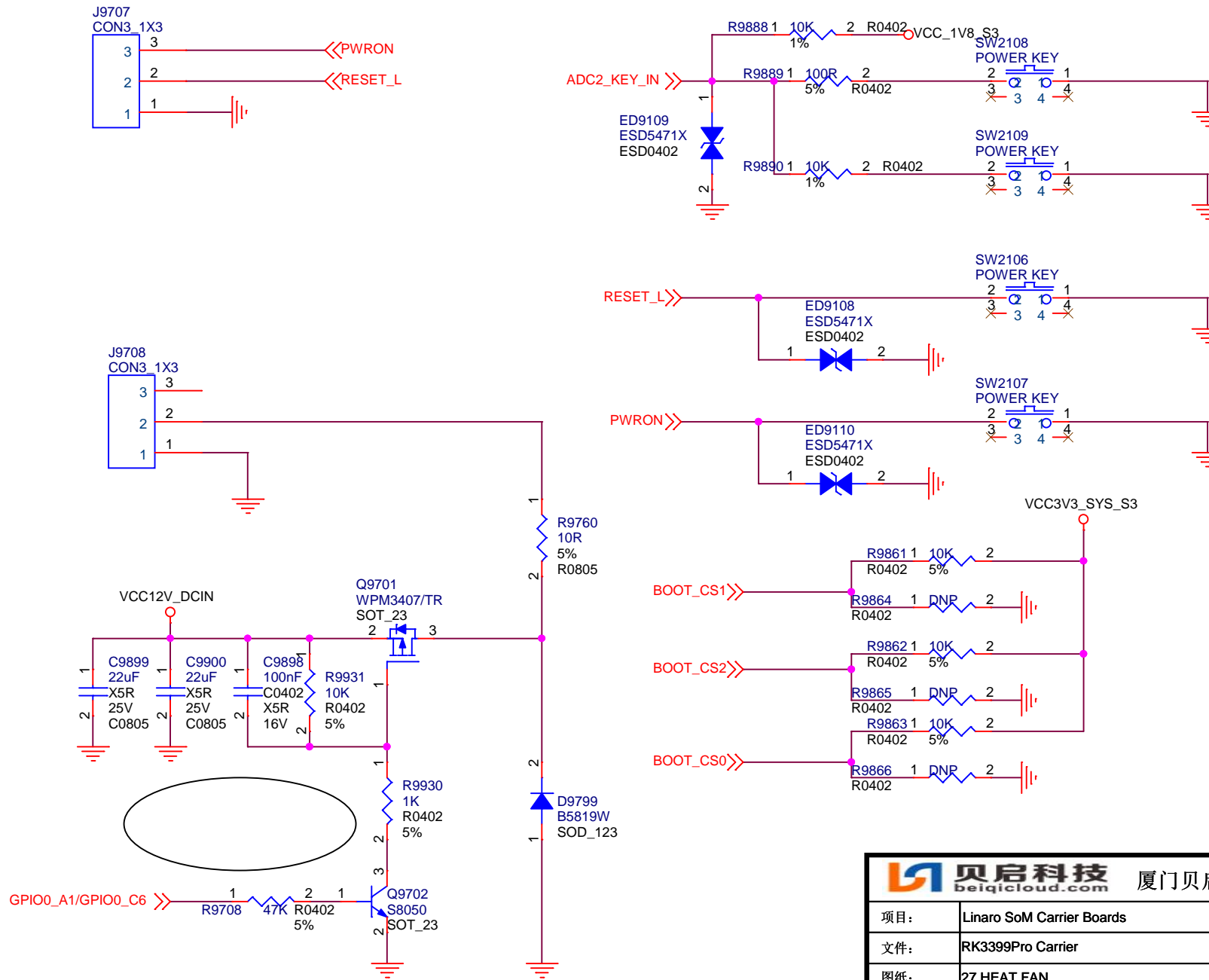
USB TO UART HUB




厦门贝启科技有限公司 beiqi.com		
项目:	Linaro SoM Carrier Boards	
文件:	RK3399Pro Carrier	
图框:	25.USB_UART_CAN	
修改日期:	Monday, March 11, 2019	版本: V0.1
设计者:	CZA	页码: 25 of 27



 贝启科技 厦门贝启科技有限公司 beiqicloud.com			
项目:	Linaro SoM Carrier Boards		
文件:	RK3399Pro Carrier		
图纸:	26.DEBUG		
修改日期:	Monday, March 11, 2019	版本:	V0.1
设计者:	CZA	页码:	26 of 27



 贝启科技 厦门贝启科技有限公司 beiqicloud.com			
项目:	Linaro SoM Carrier Boards		
文件:	RK3399Pro Carrier		
图纸:	27.HEAT FAN		
修改日期:	Monday, March 11, 2019	版本:	V0.1
设计者:	CZA	页码:	27 of 27